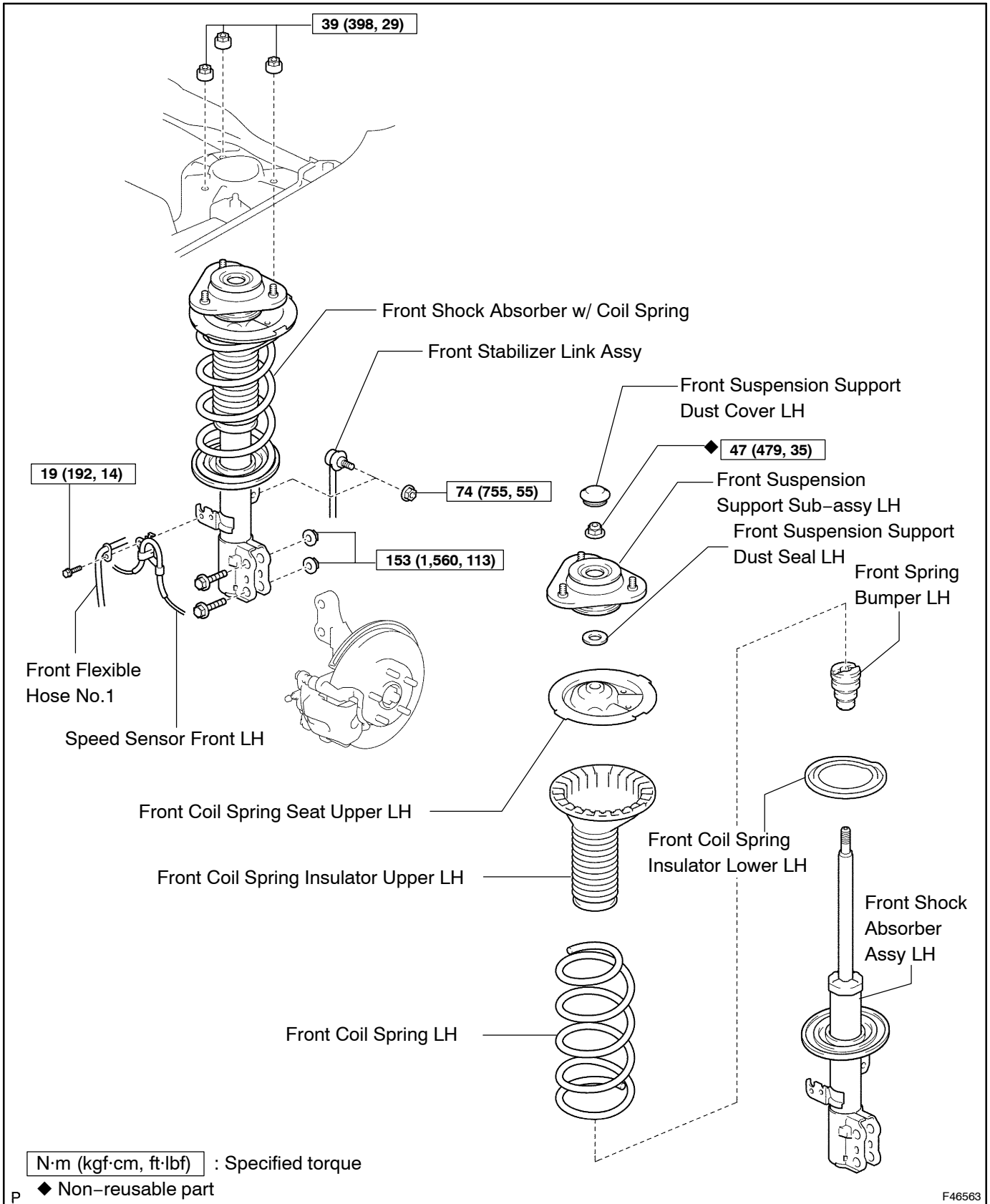
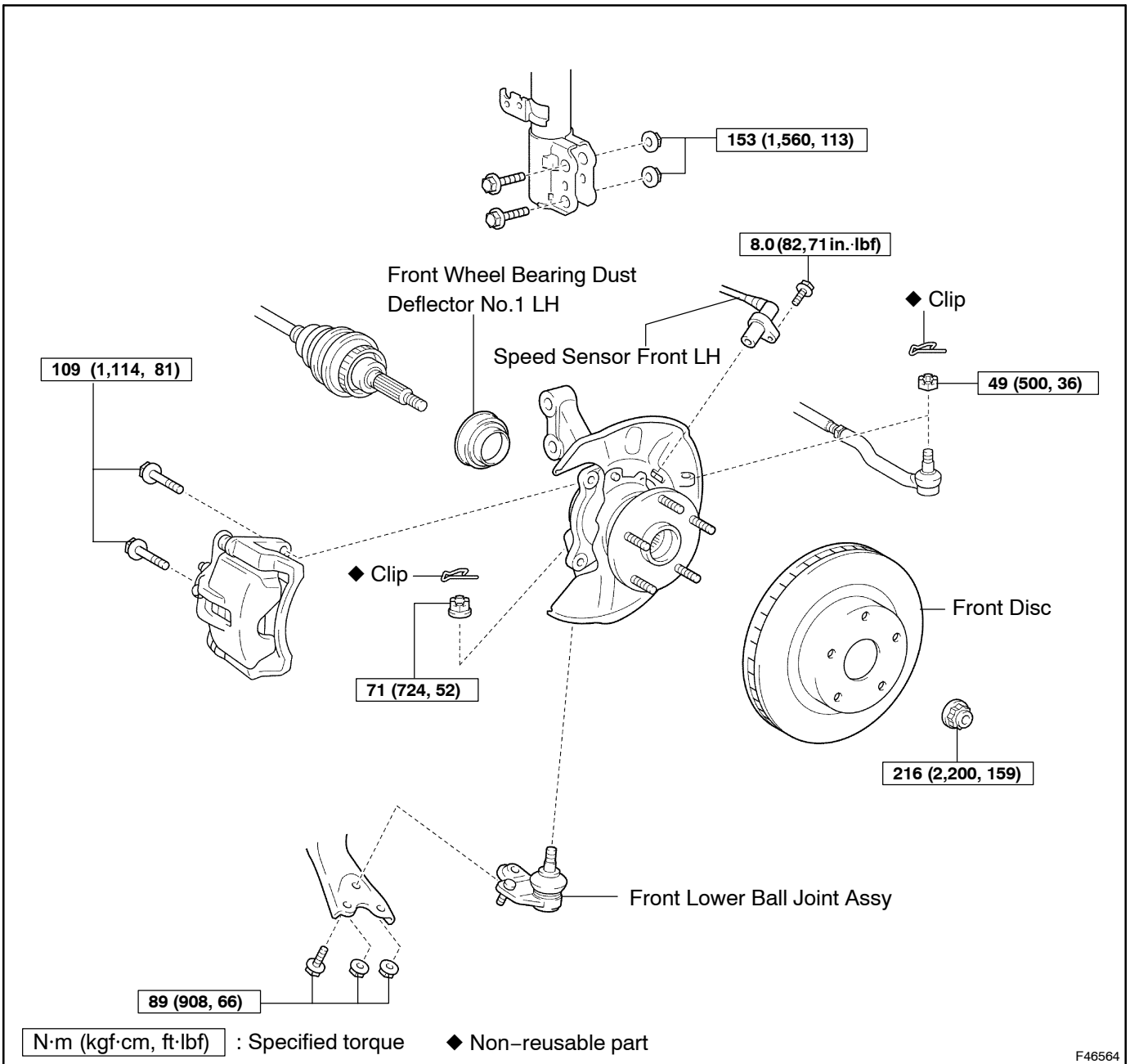


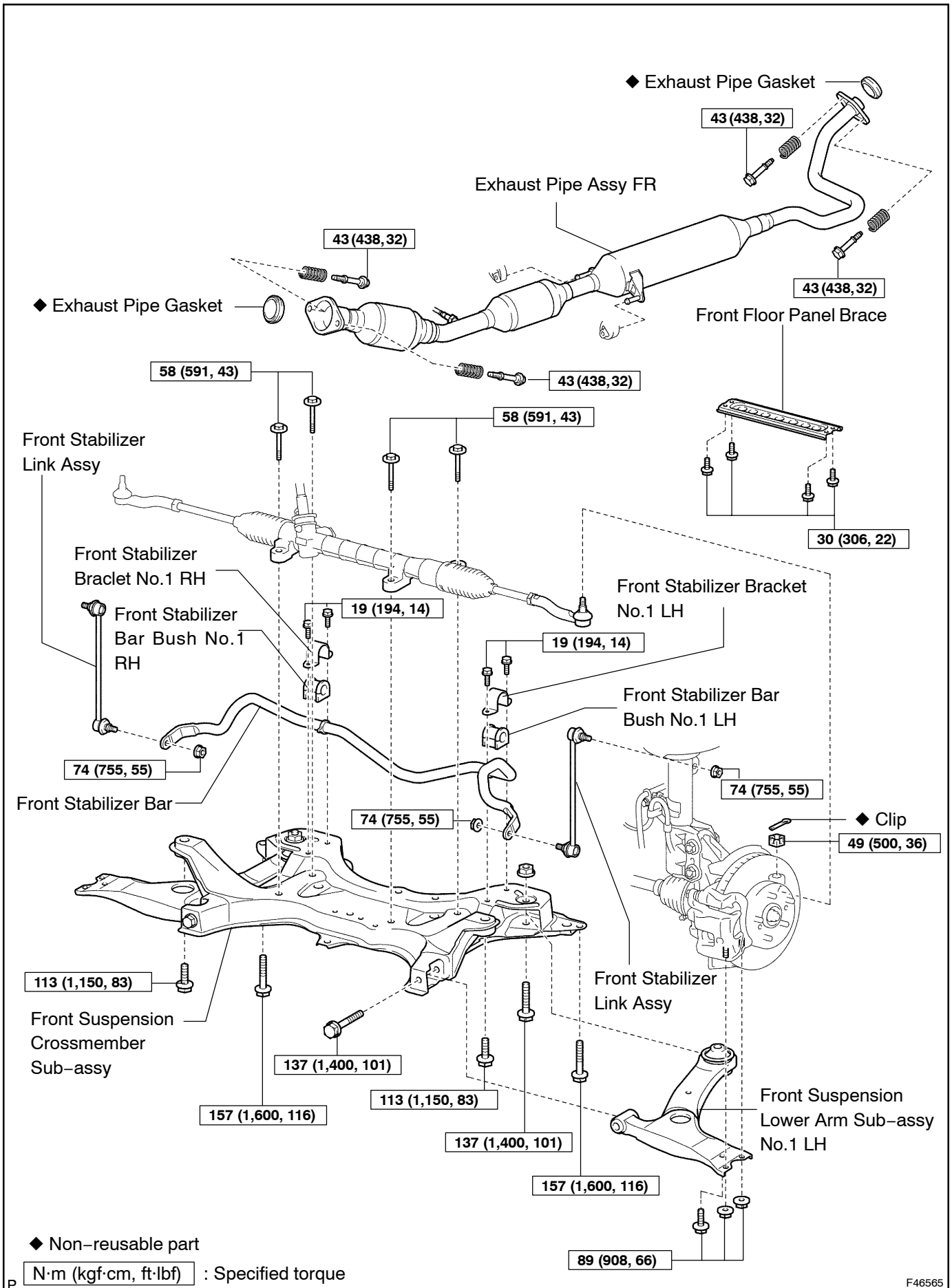
FRONT SUSPENSION COMPONENTS

260HG-02



F46563





F46565