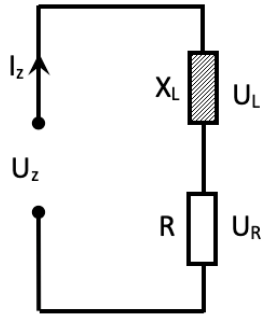


Spóla + raunviðnám raðtenging

$$U_Z = \sqrt{U_R^2 + U_L^2} \quad Z = \sqrt{R^2 + X_L^2}$$

$$I_Z = \frac{U_Z}{Z}$$

$$\cos \varphi = \frac{U_R}{U_Z}$$



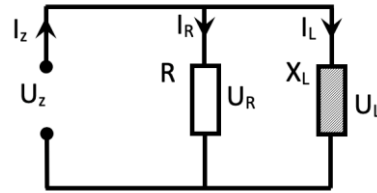
Spóla + raunviðnám hliðtenging

$$I_Z = \sqrt{I_R^2 + I_L^2} \quad Z = \frac{U_Z}{I_Z}$$

$$I_L = \frac{U_L}{X_L}$$

$$I_R = \frac{U_R}{R}$$

$$\cos \varphi = \frac{I_R}{I_Z}$$

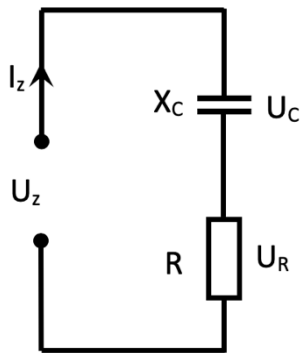


Þéttir + raunviðnám raðtenging

$$U_Z = \sqrt{U_R^2 + U_C^2} \quad Z = \sqrt{R^2 + X_C^2}$$

$$I_Z = \frac{U_Z}{Z}$$

$$\cos \varphi = \frac{U_R}{U_Z}$$



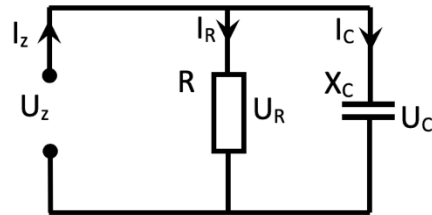
Þéttir + raunviðnám hliðtenging

$$I_Z = \sqrt{I_R^2 + I_C^2} \quad Z = \frac{U_Z}{I_Z}$$

$$I_C = \frac{U_C}{X_C}$$

$$I_R = \frac{U_R}{R}$$

$$\cos \varphi = \frac{I_R}{I_Z}$$



Þéttir + spól + raunviðnám raðtenging

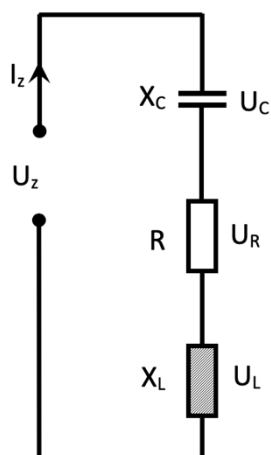
$$U_Z = \sqrt{U_R^2 + (U_L - U_C)^2}$$

$$Z = \sqrt{R^2 + (X_L - X_C)^2}$$

$$I_Z = \frac{U_Z}{Z}$$

$$\cos \varphi = \frac{U_R}{U_Z}$$

$$P = U \times I \times \cos \varphi$$



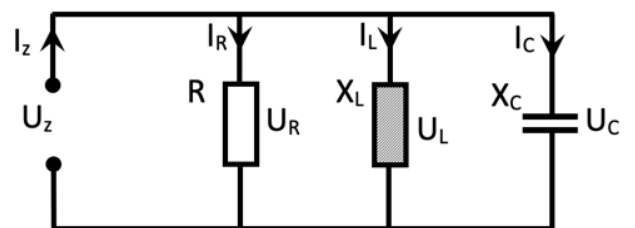
Þéttir + spól + raunviðnám hliðtenging

$$I_Z = \sqrt{I_R^2 + (I_C - I_L)^2}$$

$$Z = \frac{U_Z}{I_Z}$$

$$\cos \varphi = \frac{I_R}{I_Z}$$

$$P = U \times I \times \cos \varphi$$



Launviðnám – þéttar og spólur

Þéttir:  $X_C = \frac{1}{2\pi * f * C}$

Spóla:  $X_L = 2\pi * f * L \quad [\Omega]$