

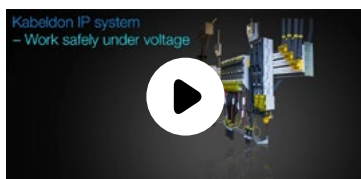
Catalog | January 2017

# Kabeldon Fusegear and Cable Distribution Cabinets Product Catalog

**ABB**

# Videos

## Safe, simple and proven



Work safely under voltage with Kabeldon IP-system



Cut costs with Kabeldon IP system - Refurbishment of transformer station



Wall mounted solution with Kabeldon IP-system - The Business park



Cut costs with Kabeldon distribution boards - Extension of greenhouse

## Easy installation



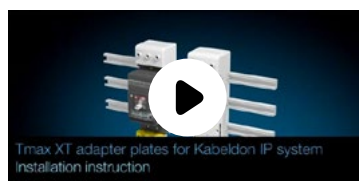
Installation of Kabeldon AD 300



Installation of Kabeldon SLD 000



Installation of Kabeldon FD 3300



Easy installation of TmaxXT into Kabeldon system

# Additional information

## Switching devices with dependent manual operation SLD 63



**SLD 63**  
Fuse-switch-disconnector.  
- AC-21B according to IEC 60947-3 at 400 V.  
- 3 modules or 38 mm width.  
- Diazed fuses, DII or DIII.  
- Sealing possibility.



**PDA 10-50**  
Gauge pieces.



**PBA 63**  
Seal cover.

**Note:**  
- Switching devices to be tightened with a torque.  
For "Tightening torque" see page 5/6.  
- For 10 – 25 A we recommend using reduction sleeve.

2



**1** Roll over the picture to zoom in.

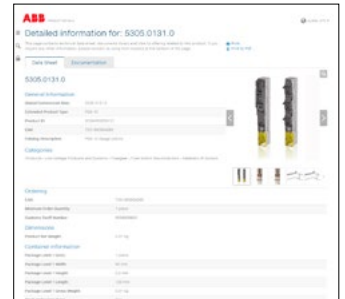
Designation	ID number	Degree of protection	Number of modules		Rated data	Cable connection Al/Cu mm <sup>2</sup>	Numbers per kit	Weight kg/pcs
			M*					
SLD 63	2CGX0 63050110	IP2X	3		400 V 63 A	1,5-25**	1	1,45

\* 1 modul M = 12,5 mm.

\*\* Max conductor cross section refers to connection with a stranded or solid conductor.

To be ordered separately:

Designation	ID number	Color	Number per kit	Rated current A	Weight kg/pcs
PDA 10	2CGX0 53050131	Red	3	10	0,01
PDA 16	2CGX0 53050130	Grey	3	16	0,01
PDA 20	2CGX0 53050129	Blue	3	20	0,01
PDA 25	2CGX0 53050128	Yellow	3	25	0,01
PDA 35	2CGX0 53050127	Black	3	35	0,01
PDA 50	2CGX0 53050126	White	3	50	0,01
PBA 63	2CGX0 53050301	Transparent yellow	1	-	0,01



**2** Click on the product order code to obtain detailed information and agreements.



# Table of Contents

<a href="#">Introduction</a>	1
<a href="#">Switching devices</a>	2
<a href="#">Enclosures</a>	3
<a href="#">Pre-assembled distribution boards</a>	4
<a href="#">Technical data</a>	5
<a href="#">Designations in alphabetical order</a>	6
<a href="#">Notes</a>	7



# Table of Contents

## Introduction

### Introduction

---

Kabeldon IP-system	1/4
Rugged, corrosion-resistant enclosures	1/5
Surface treatment	1/6
Distribution boards for various applications	1/7
Planning and design program, Connect IT	1/8
Our products	1/9

### Reference pictures

---

Application areas	1/10
Manufacturing, surface treatment and assembling	1/12

# Introduction

1



Our factory is situated in Alingsås, Sweden. The production is automated and meets stringent quality and environmental requirements.

We work to create safe electrical distribution via cable networks. To achieve this we develop, manufacture and market a broad range of cable accessories, switching devices and enclosures. Our main groups of customers are power supply companies, network companies, industrial companies and OEMs.

Our primary areas of expertise are electrical connections in cable systems and control of electrical field. Our own testing plant is an important aid to product development.

## Our business idea

"We provide companies that work with electric power with solutions which enable them to joint and connect cables easily and safely, and distribute electricity".

## The catalog

The introductory pages show the most important products in production and in various applications. The entire range is then presented in two sections: "Switching devices" and "Enclosures", including product data.

An alphabetical list of content can be found at the end of this catalogue. The product catalogue is also available at our website.

## Quality and environment

Satisfying customer needs, Quality and Environment are our priorities. We work continuously to improve our processes. Important foundations for this work are our quality and environment management systems.

- ISO 9001
- ISO 14001
- OHSAS 18001

We reserve the right to alter the design and range of our products without prior notice.



# Introduction

## Kabeldon IP-system

Kabeldon IP-system consists of a unique, screen-protected busbar system which is combined with a broad range of switching devices and connectors.

Features of the Kabeldon IP-system are its simplicity and reliability. These are the most important factors when you want to achieve low operating costs and high delivery reliability in a distribution system.

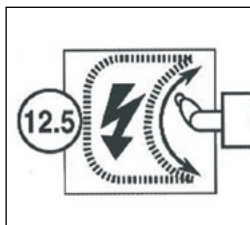
### Features – busbar system

- Busbars of continuously extruded aluminium sections, insulated with a layer of polyamid.
- The busbar has a screen-protected contact slot. This ensures safety regardless of where on the busbar the switching device is placed.
- Busbars are available with rated currents from 400 to 2500 A.
- IP2X: No entry of standard test finger to live parts.

### Features – switching devices

- Can be arranged in any order, regardless of rated current.
- Switching devices 100 – 1600 A.
- All parts have a high degree of protection and are safe.
- Switching devices are mounted on and connected to the busbar system in the same operation.
- Switching devices can be connected when the system is live.
- Always voltage-free (“dead”) when changing fuses.
- The width of Switching devices, connectors and busbars combine to form a modular system. Each module is 12.5 mm. The modular system makes planning easier.
- The compact design of the switching devices makes them suitable for use in many different types of distribution boards.
- All switching devices have a utilization category so that they can be used in cable distribution cabinets, substations and other low voltage distribution boards.

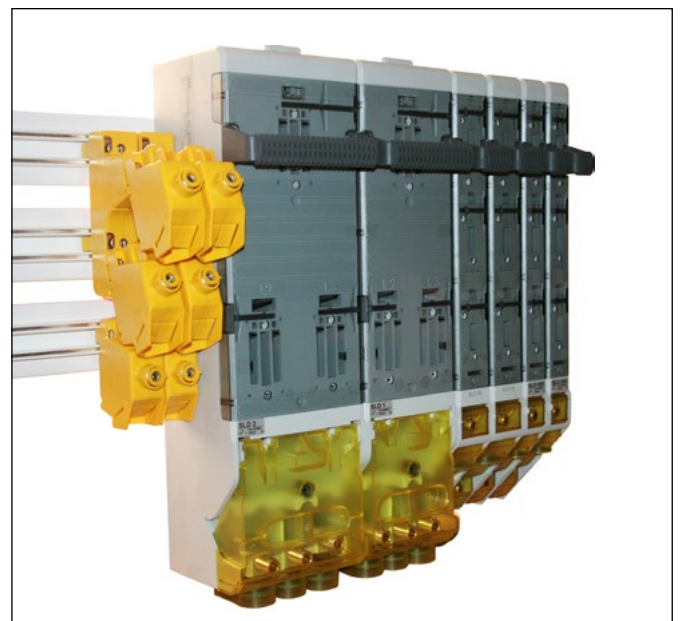
IP2X is defined as:



Finger max 12 mm



A test finger on a busbar's screen-protected contact slot; which demonstrates personal safety, regardless of where on the busbar the switching device is placed.



The width of Switching devices, connectors and the busbars are based on a modular system. Each module is 12.5 mm. The modular system makes planning easier.

# Introduction

## Rugged, corrosion-resistant enclosures

1 Since the 1920s, we have been manufacturing cable distribution cabinets.

The latest generation of enclosures was developed based on our long experience of systems for demanding environments. At the same time, they satisfy current requirements for long life with undiminished safety and low operating and maintenance costs.

In Scandinavia, where snow is commonly cleared with snowplows and where the temperature in winter can drop to  $-25^{\circ}\text{C}$  or lower, stability and surface treatment must be of the highest class. In addition, good ventilation is essential to disperse heat during the summer and to eliminate condensation.

Resistance to external impact is tested according to standard IEC 61439-5.

Degree of protection is IP34D according to standard IEC 60529.

**CDC - a versatile range of enclosures with a timeless design**  
CDC was developed in close collaboration with users and meets the requirements for simplicity and flexibility. A number of practical functions make the installer's work easier. The cabinets can also be used for broadband systems using fibre-optic cables, for telecom installations and cable TV.

**SDC - versatile enclosure with extra depth**  
This enclosure is designed for both indoor and outdoor distribution boards. SDC is hot-dip galvanized and has a design that harmonizes well with the CDC series, so that the two can be used together. There is also a variant with a top section for metering or other equipment.

**KSİK - powder coated enclosure**  
Suitable enclosure for indoor distribution boards in environment classes  $C_1^*$  and  $C_2^*$  e.g. in industry, buildings, sports facilities, and warehouses. KSİK has special openings on the sides, for easy assembly with putting through busbar systems.

---

\* In accordance with ISO 12944-2

$C_1$  = Heated, dry rooms.

$C_2$  = Small amounts of humidity may occur.



# Introduction

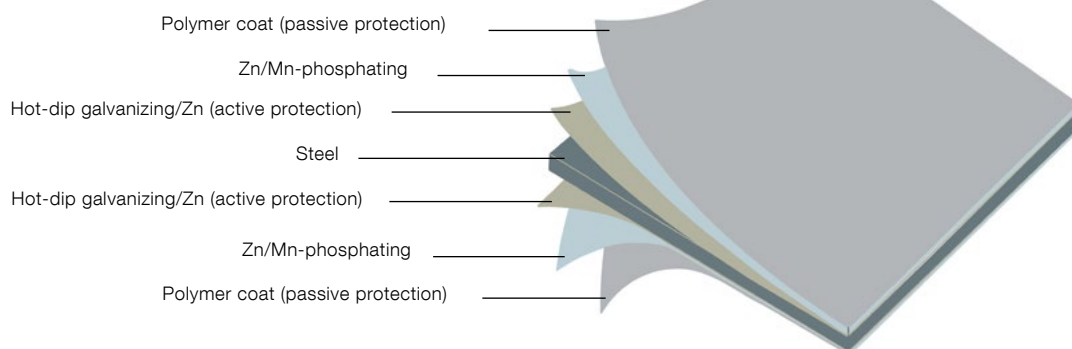
## Surface treatment

Enclosure series CDC and SDC are made of sheet steel and are protected against corrosion by hot-dip galvanizing according to ISO 1461. For parts that are buried in the ground, the corrosion protection has been reinforced with a polymer coating. To make sure that the polymer coat adheres to the hot-dip galvanized surface, it has undergone zinc/manganese phosphating.

The above treatment gives excellent protection against corrosion, so that the life of the enclosures is very long in the most commonly occurring environments for outdoor enclosures.



Six protective coats for outstanding corrosion protection of steel in the ground



# Introduction

## Distribution boards for various applications

1

Kabeldon low voltage distribution systems feature small dimensions, flexibility, safety, reliability and a clear layout.

To ensure high quality, the enclosure is assembled at the factory. The enclosure is then fitted with the required devices. It is a simple matter to wire up the distribution board and put it into service.

In indoor electrical rooms, the busbar system can also be mounted on the wall. However, we recommend an enclosed distribution board located outdoor, both for safety reasons and for saving valuable indoor space.

The distribution board is planned with the Connect IT program, which is available for free download.

There are also pre-assembled metered public lighting pillars, service distribution boards for direct kWh metering or transformer metering and pre-assembled standby power, see section 4, "Pre-assembled distribution boards".

The distribution boards satisfy the requirements of: IEC 60529: Degrees of protection provided by enclosures (IP code).

IEC 60947: Low voltage switchgear and controlgear:

- Part 1: General rules.
- Part 3: Switches, disconnectors, switch-disconnectors and fuse-combination units.

IEC 61439: Low voltage switchgear and controlgear assemblies:

- Part 1: General rules.
- Part 5: Assemblies for power distribution in public networks.

The following list shows some applications:

### Utilities

- Electricity distribution in low voltage networks.
- Street and road lighting; traffic lights.
- Electricity supply for street markets, travelling exhibitions, circuses and fairgrounds.

### Buildings

- Distribution boards for hospitals, hotels, shopping malls and office buildings.

### Ports and airports

- Electricity supply for boats and ships.
- Electricity supply for aircrafts on the ground.

### Sports installations

- Floodlighting for football and sports stadiums.
- Lighting for jogging tracks and control panels for ski lifts.
- Electricity supply.

### Construction sites

- Temporary electricity supply.
- Central electric heating.
- Distribution boards for cranes and other equipment.

### Industry

- Distribution boards to supply power to various types of industrial firms.

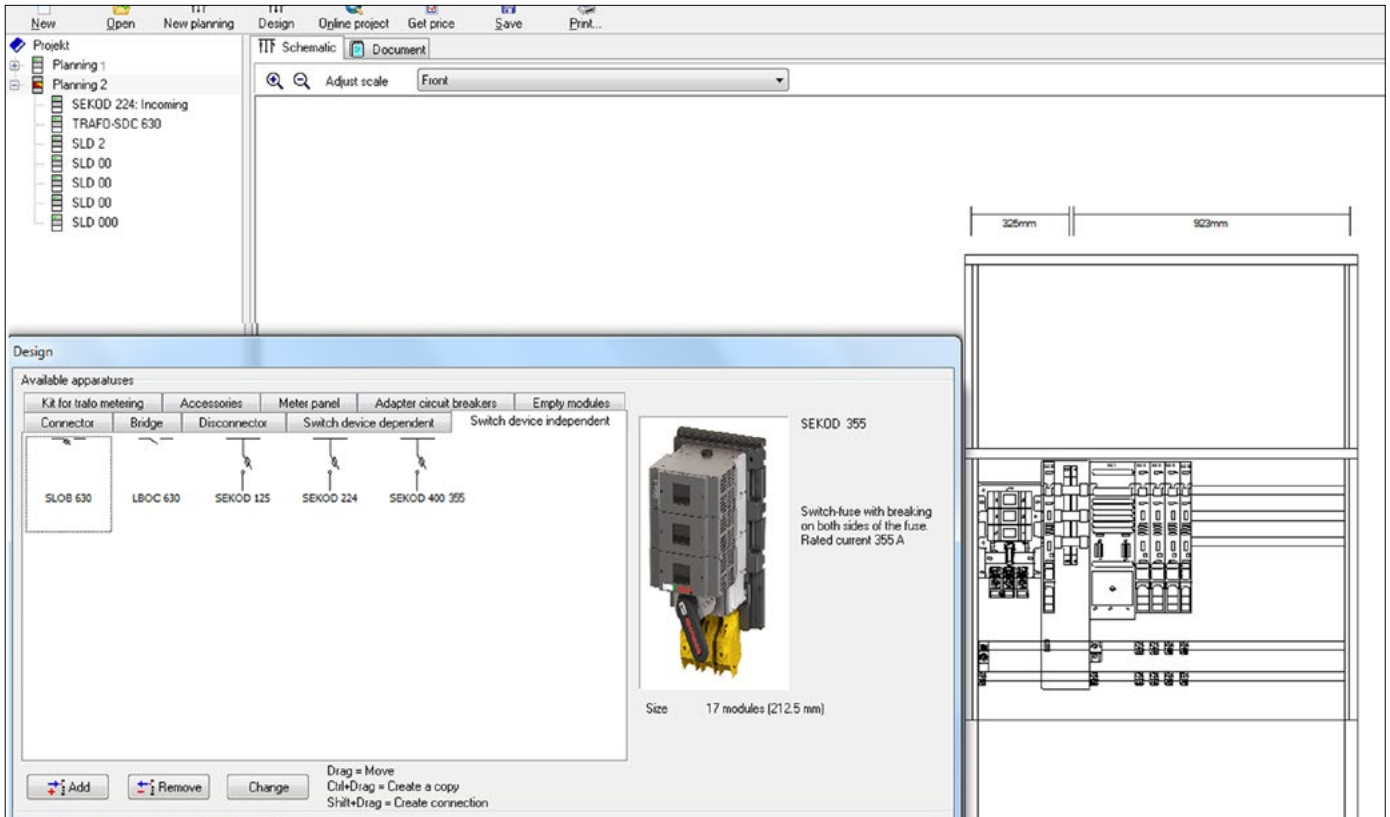
### Communication systems (enclosures)

- Enclosures for fibre-optic networks.
- Enclosures for antenna systems and cable TV.
- Terminal blocks for telephone.



# Introduction

## Planning and design program, Connect IT



Front view sketch of complete cabinet created in Connect IT.

### Connect IT planning software

Connect IT is a Windows®-based planning program for cable distribution cabinets, service distribution boards and other applications based on the range of switching devices, busbar system and enclosures.

Connect IT makes it easy to design an electrical distribution board and to obtain details of its components as follows:

- Enclosures with accessories
- Busbar system
- Switching devices and connectors
- Own hardware added, e.g. fuses

Connect IT also generates information for ordering, planning and documentation.

- A single-line diagram, to which addresses, cable data and other details can be added.
- A front view sketch, which can be used as a basis for component mounting.

Connect IT offers great scope to freely create any desired combination of switching devices and enclosures. The work is done quickly and simply, with the aid of pictures and text.

Connect IT is also suitable for use when planning a busbar system without enclosure, e.g. for installation in electrical operating areas.

Connect IT is available for free download at: <http://new.abb.com/low-voltage/products/cable-distribution-cabinets/kabeldon-distribution-boards/connect-it> or contact us.

[Contact us for further information and to place your order!](#)

# Introduction

## Our products

1



Enclosures for various fields of application.



Cable distribution cabinets with switching devices and busbar systems.

# Reference pictures

## Application areas



Cable distribution cabinet at the construction of the "Friends" Arena in Solna, Sweden.



Cable distribution cabinet at railway station, Sweden.



Distribution board, Kalmar, Sweden.



Distribution board at a port situated in Sweden.



Enclosure with upper section CDCM used as metering cabinet, Latvia.



Cable distribution board for illuminated advertising signs.

# Reference pictures

## Application areas

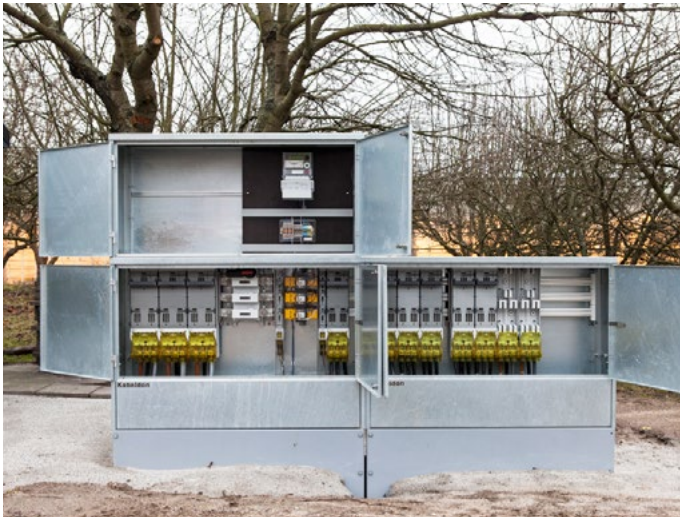
1



Cable distribution boards at Hedens bandy rink, Gothenburg, Sweden.



Distribution board in powder coated enclosure mounted on the wall in a switchgear room at a bakery, in Gothenburg, Sweden.



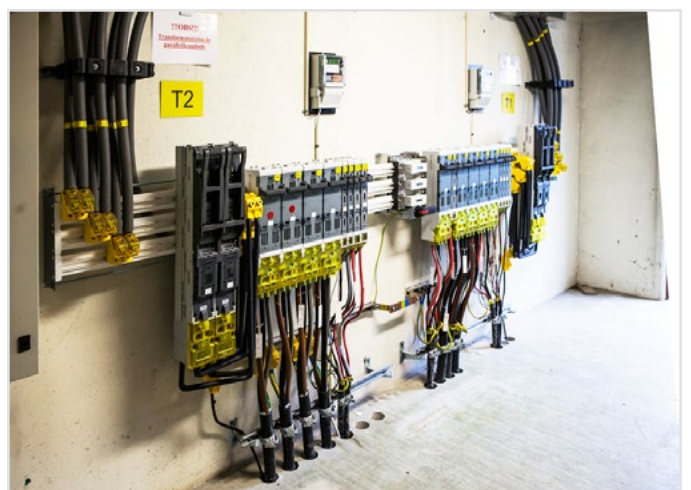
Cable distribution board, Sweden.



Kabeldon switching devices SLDL, Sweden, especially designed for CSS.



Kabeldon switching devices in a CSS, Latvia.



Examples of using Kabeldon products on the wall in low voltage switchgear, Sweden.



# Reference pictures

## Manufacturing, surface treatment and assembling



Fully-automatic plant for pressing, punching and bending of metal plates.



Automatic hot-dip galvanizing plant.



Automatic pre-treatment of enclosures before powder coating.



Treatment for outgoing waste water from surface treatment.



Powder coating of foundation parts.



Assembly of enclosures.



Production of switching devices and connectors with modern technology.



Assembly of distribution boards according to customer specific requirements.



# Table of Contents

## Switching Devices

### Standard

Switching devices	2/4
-------------------	-----

### Switching devices with dependent manual operation

SLD 63	2/6
SLD 000	2/7
SLD 00	2/8
SLD-FHD	2/9
SLD 1	2/10
SLD 2	2/11

### Disconnecter with dependent manual operation

FD 3300	2/12
---------	------

### Switching devices for substations 400 A – 630 A

SLDL, SLDL 2-1P, SLDL 3, SLDL 3-1P	2/13
------------------------------------	------

### Accessories

SLDL 2, SLDL 2-1P, SLDL 3, SLDL 3-1P	2/14
--------------------------------------	------

### Switching devices with independent handmanover

SEK0D	2/15
SLOC, LB0D	2/16

### Adapter plates for module case circuit breakers (MCCB)

XT 1-4, T5, T6, T7	2/17
--------------------	------

### Connectors

Connectors	2/18
------------	------

### Busbar system

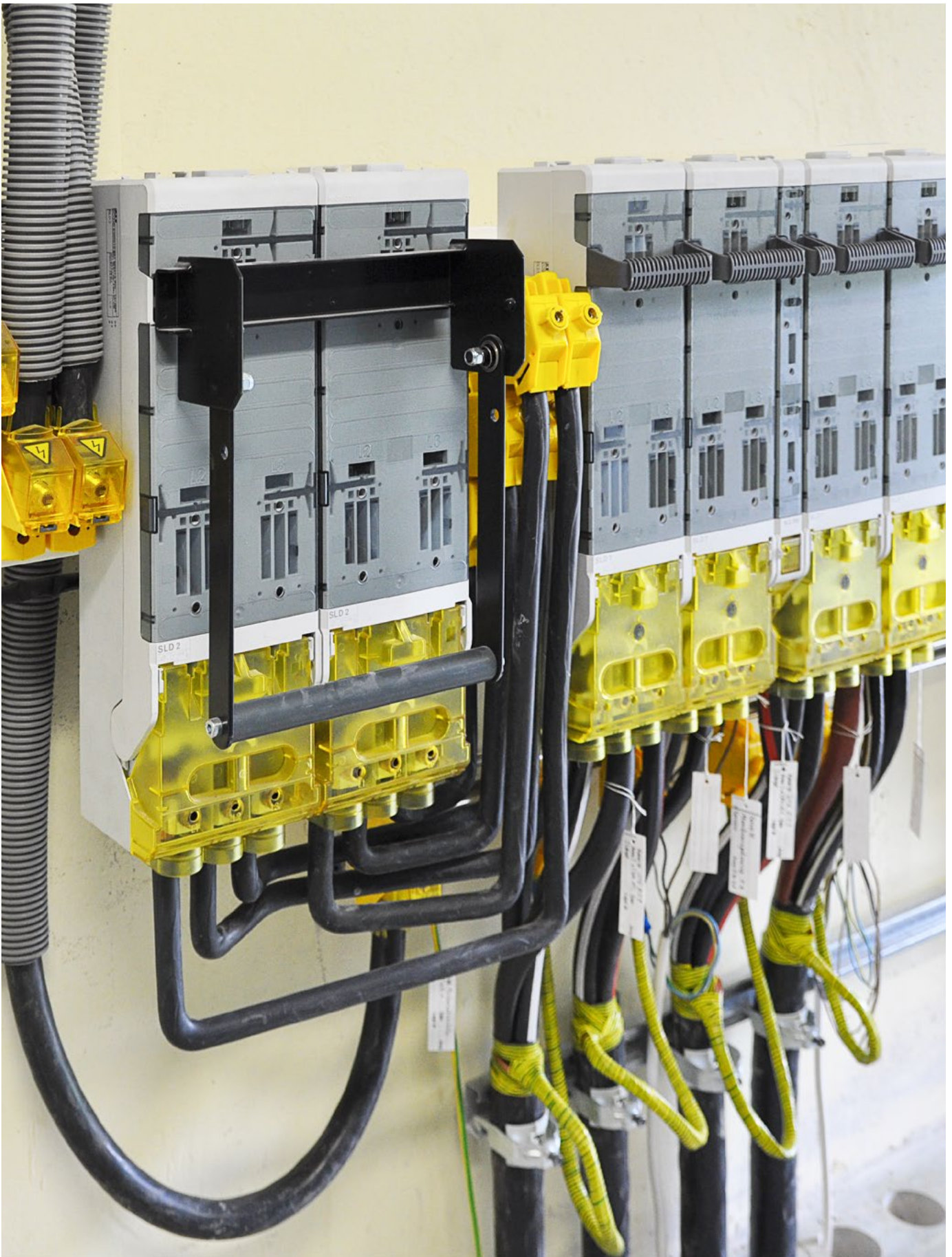
Busbars with protection (IP2X) – KSFS	2/19
Busbars without protection (IP00) – KSNS	2/20
5-wire system	2/21
Busbar supports – KSST, KLKB	2/22
Middle support for 400–1600 A busbars – MSB	2/23
Busbar system 2500 A for substations and switchgears	2/25

### General accessories

Accessories for OEM manufacturers	2/26
Temporary single-phase outlet, TFU 25 and other accessories	2/28
Street lighting box – GBL 63	2/29

### Dimension drawings

Fuse-switch-disconnectors	2/30
Switch fuses	2/31
Connectors	2/32
Busbar supports and middle supports 400–1600 A	2/33
Busbar supports and middle supports 1600 A and 2500 A	2/34



# Standard switching devices

## Utilization category

The utilization category for the switching devices is stated in the “Technical data” for each product.

## Rated diversity factor

For switching devices mounted in a cable distribution cabinet, distribution board or directly on the wall; the rated current must be reduced where there are parallel current paths.

Number of main circuits	Rated diversity factor
2 and 3	0.9
4 and 5	0.8
6-9	0.7
10 and above	0.6

## Rated current for phase- and neutral busbars.

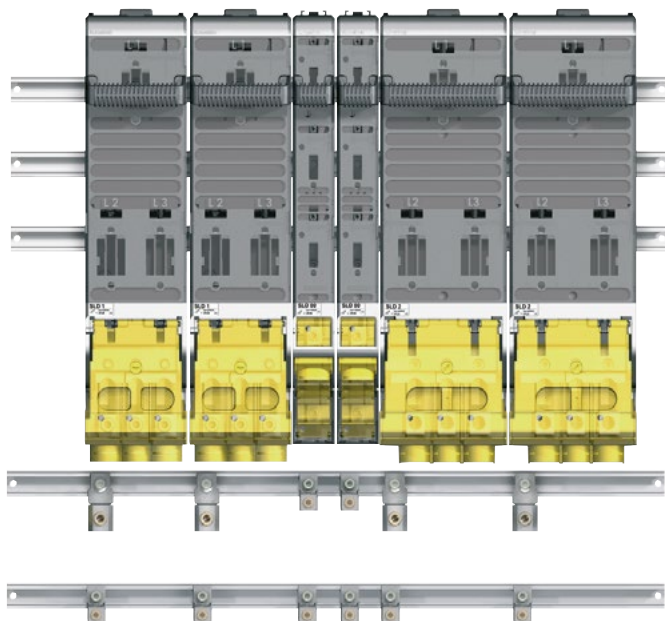
The stated rated current refers to the highest permitted current in any section of the busbar.

## Voltage testing

All of the devices have apertures designed for voltage testers conforming to IEC 61243-3.

## Connectors

All switching devices SLD come complete with terminal connectors for both copper and aluminium conductors. Connectors for aluminium conductors have been tested according to IEC 61238-1.



The torque range depends on the conductor cross-section, please see “Technical data” or installation instructions. Normally it's no need to any retightening but it may be required in special situations, i.e. when a short-circuit has happened.

## Area range

The stated area range refers to connection with a stranded or solid conductor. When connecting a flexible conductor, reduce the max. area by one area step.

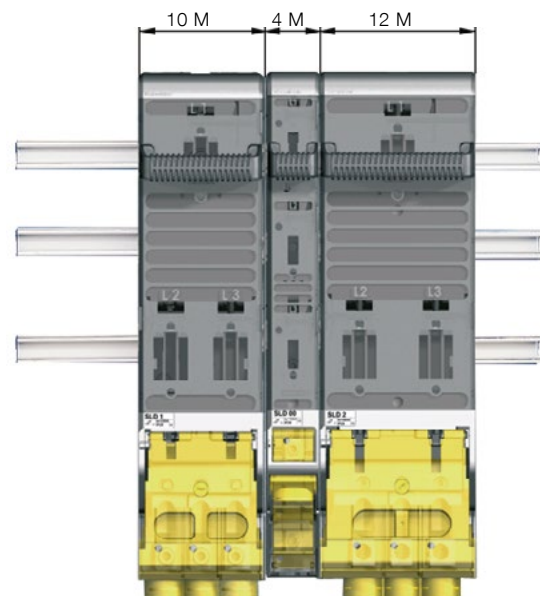
## Parallel conductors

The connectable area for parallel conductors is determined by dividing the maximum area by the number of parallel conductors and reducing by one more area step.

Ex: max cable connection 300 mm<sup>2</sup>, 300/2 → 150 go down by a step → 120.

## Modular system

The dimensions of all items that can be connected to the busbar system are based on a module (one module M = 12.5 mm). This makes it easy to calculate the space required by a particular distribution board and then to choose a suitable enclosure.





# Switching devices with dependent manual operation

## SLD 63



### SLD 63

Fuse-switch-disconnector.

- AC-21B according to IEC 60947-3 at 400 V.
- 3 modules or 38 mm width.
- Diazed fuses, DII or DIII.
- Sealing possibility.



**PDA 10-50**  
Gauge pieces.



**PBA 63**  
Seal cover.

#### Note:

- Switching devices to be tightened with a torque. For "Tightening torque" see page 5/6.
- For 10 – 25 A we recommend using reduction sleeve.

Designation	ID number	Degree of protection	Number of modules		Rated data		Cable connection Al/Cu	Numbers per kit	Weight kg/pcs
			M *				mm <sup>2</sup>		
SLD 63	2CGX0 63050110	IP2X	3		400 V	63 A	1,5–25**	1	1,45

\* 1 modul M = 12,5 mm.

\*\* Max conductor cross section refers to connection with a stranded or solid conductor.

#### To be ordered separately:

Designation	ID number	Color	Number per kit	Rated current	Weight kg/pcs
				A	
PDA 10	2CGX0 53050131	Red	3	10	0,01
PDA 16	2CGX0 53050130	Grey	3	16	0,01
PDA 20	2CGX0 53050129	Blue	3	20	0,01
PDA 25	2CGX0 53050128	Yellow	3	25	0,01
PDA 35	2CGX0 53050127	Black	3	35	0,01
PDA 50	2CGX0 53050126	White	3	50	0,01
PBA 63	2CGX0 53050301	Transparent yellow	1	–	0,01

# Switching devices with dependent manual operation

## SLD 000, 100 A

2



### SLD 000

Fuse-switch-disconnector.

- AC-23B according to IEC 60947-3 at 400 V.
- 3 modules or 38 mm width.
- Fuse NH 000 or C00 or linking knife KN 00.
- Sealing possibility.



### JDDA 000

Earthing device.



### KSBD 00

Blocking device.



### KN 00

Linking knife.



### FHHD-A 000

Kit with detachable handle and adapter for fuse-switch-disconnector SLD 000. With this solution the depth is reduced with 35 mm.



### FHH

Detachable handle to FHHD-A, SLD-FHD and FHD.

### Note:

Switching devices to be tightened with a torque.

For "Tightening torque" see page 5/6.

Designation	ID No.	Degree of protection	Number of modules	Rated data		Cable connection Al/Cu mm <sup>2</sup>	Numbers per kit	Weight kg/pcs
				M *	400 V 100 A			
SLD 000	2CGX0 63050106	IP2X **	3			2.5-95 ***	1	1.7

\* One module M = 12.5 mm.

\*\* IP1X with open device, depending on design of fuse.

\*\*\* Max conductor cross section refers to connection with a stranded or solid conductor.

### To be ordered separately:

Designation	ID No.	Number of modules	Rated data	Numbers per kit	Weight kg/pcs
JDDA 000	2CGX0 63190375	3	6.1 kA/1 s	1	2.2
KSBD 00	2CGX0 63190109	-	-	3	0.1
KN 00	2CGX0 53190319	-	160 A	3	0.1
FHHD-A 000	2CGX0 53050205	-	-	1	0.02
FHH	2CGX0 43050404	-	-	1	0.02

\* One module M = 12.5 mm.



Installation of Kabeldon SLD 000



# Switching devices with dependent manual operation

## SLD 00, 160 A



**SLD 00**  
Fuse-switch-disconnector.

- AC-23B according to IEC 60947-3 at 400 V.
- 4 modules or 50 mm width.
- Fuse NH 00 or linking knife KN 00.
- Sealing possibility.



**JDDA 00**  
Earthing device.



**KSBD 00**  
Blocking device.



**KN 00**  
Linking knife



**FHHD-A 00**  
Kit with detachable handle and adapter for fuse-switch-disconnector SLD 00. With this solution the depth is reduced with 35 mm.



**FHH**  
Detachable handle to FHHD-A, SLD-FHD and FHD.

**Note:**

Switching devices to be tightened with the torque.  
For “Tightening torque” see page 5/6.

Designation	ID No.	Degree of protection	Number of modules	Rated data		Cable connection Al/Cu mm <sup>2</sup>	Numbers per kit	Weight
			M *	400 V	690 V			kg/pcs
SLD 00	2CGX0 63050107	IP2X **	4	160 A	160 A	2.5-95 ***	1	1.8

\* One module M = 12.5 mm.

\*\* IP1X with open device, depending on design of fuse.

\*\*\* Max conductor cross section refers to connection with a stranded or solid conductor.

To be ordered separately:

Designation	ID No.	Number of modules	Rated data	Number per kit	Weight kg/pcs
		M *			
JDDA 00	2CGX0 63190376	4	6.1 kA/1 s	1	2.3
KSBD 00	2CGX0 63190109	–	–	3	0.1
KN 00	2CGX0 53190319	–	160 A	3	0.1
FHHD-A 00	2CGX0 53050204	–	–	1	0.03
FHH	2CGX0 43050404	–	–	1	0.02

\* One module M = 12.5 mm.

# Switching devices with dependent manual operation

## SLD-FHD, 160 A

2



### FHD 000

The kit contains three single-pole fuseholders with handle.  
Replaces the cover to SLD 000 when single-pole breaking.

### KN 00

Linking knife



### SLD-FHD 000

Fuse-switch-disconnector

- AC-21B according to IEC 60947-3 at 400 V.
- Three single-pole fuse-holders.
- Blade fuses type C00, NH 000 or linking knife KN 00.

### SLD-FHD 00

Fuse-switch-disconnector

- AC-21B according to IEC 60947-3 at 400 V.
- Three single-pole fuse-holders.
- Blade fuses type typ NH 00 or linking knife KN 00.

### FHD 00

The kit contains three single-pole fuseholders with handle. Replaces the cover to SLD 00 when single-pole breaking.

### Note:

Switching devices to be tightened with the torque.

For "Tightening torque" see page 5/6.

Designation	ID No.	Degree of protection	Number of modules	Rated data	Cable connection Al/Cu	Numbers per kit	Weight
			M *	230 V	mm <sup>2</sup>		kg/pcs
SLD-FHD 000	2CGX0 63050116	IP2X **	3	100 A	2.5-95 ***	1	1.76
SLD-FHD 00	2CGX0 63050117	IP2X **	4	160 A	2.5-95 ***	1	1.89

\* One module M = 12.5 mm.

\*\* IP1X with open device, depending on design of fuse.

\*\*\* Max conductor cross section refers to connection with a stranded or solid conductor.

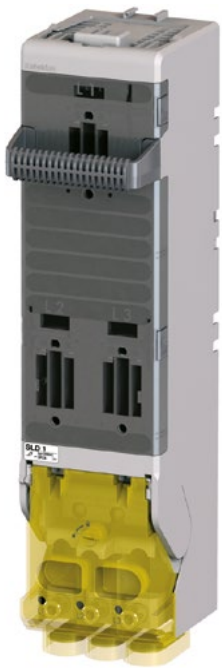
### To be ordered separately:

Designation	ID No.	Degree of protection	Number of modules	Rated data	Number per kit	Weight
			M *			kg/pcs
FHD 000	2CGX0 53050225	IP2X **	3	100 A	3	0.10
FHD 00	2CGX0 53050226	IP2X **	4	160 A	3	0.12
KN 00	2CGX0 53190319		–	160 A	3	0.1

\* One module M = 12.5 mm.

# Switching devices with dependent manual operation

## SLD 1, 250 A



**SLD 1**  
Fuse-switch-disconnector.

- AC-23B according to IEC 60947-3 at 400 V.
- 10 modules or 120 mm width.
- Fuse NH 1 (max width 42 mm) or linking knife KN 1.



**JDDA 1**  
Earthing device for SLD 1.



**KSBD 2**  
Blocking device.



**KN 1**  
Linking knife.



**STM 400**  
Conductor rail with connector for current transformer metering. Dimensions of conductor rail are 25x13 mm.



**ADP 300**  
Insulated connector for parallel conductors with fuse-switch-disconnectors SLD 1, SLD 2 and also circuit-breakers ABB Tmax T5.

**Note:**  
Switching devices to be tightened with the torque.  
For “Tightening torque” see page 5/6.

Designation	ID No.	Degree of protection	Number of modules	Rated data		Cable connection Al/Cu mm <sup>2</sup>	Weight kg/pcs
				400 V	690 V		
SLD 1	2CGX0 63050108	IP2X	10	250 A **	250 A	50-300 ***	4.3

\* One module M = 12.5 mm.  
\*\* 250 A with fuse, 400 A with linking knife.  
\*\*\* Max. conductor cross section refers to connection with a stranded or solid conductor.

To be ordered separately:

Designation	ID No.	Degree of protection	Rated data	Dimensions			Cable connection Al/Cu mm <sup>2</sup>	Numbers per kit	Weight kg/pcs
				H	B	D			
				mm					
JDDA 1	2CGX0 63190402	–	16.2 kA/1 s	–	–	–	–	1	0.4
KSBD 2	2CGX0 63190110	–	–	–	–	–	–	3	0.1
KN 1	2CGX0 53190345	–	400 A	–	–	–	–	3	0.2
STM 400	2CGX0 63090026	IP2X	400 V, 400 A	220	35	85	50-300	1	0.4
ADP 300	2CGX0 63090035	IP2X	690 V, 630 A	253	38	127	2//50-300	1	0,8

# Switching devices with dependent manual operation

## SLD 2, 400 A

2



- SLD 2**  
Fuse-switch-disconnector
- AC-23B according to IEC 60947-3 at 400 V.
  - 12 modules or 150 mm width
  - Fuse NH 2 or linking knife KNB 2.
  - Possibility for parallel operation
  - Tested up to 1000 V for installation in dry indoor environments.
  - When using SLD 2 in 1000V systems, fuses that are designed for 1000 V must be used.



**JDDA 2**  
Earthing device.



**PHD 2**  
Parallel handle for parallel operation of two SLD 2 in enclosures CDC.



**PHD 2 SDC**  
Parallel handle for parallel operation of two SLD 2 in enclosures SDC and CSS switchgears.



**KSBD 2**  
Blocking device.



**KNB 2**  
Linking knife.



**STM 400**  
Conductor rail with connector for current transformer metering. Dimensions of conductor rail are 25x13 mm.



**ADP 300**  
Insulated connector for parallel conductors with fuse-switch-disconnectors SLD 1, SLD 2 and also circuit-breakers ABB Tmax T5.

**Note:**  
Switching devices to be tightened with the torque.  
For "Tightening torque" see page 5/6.

Designation	ID No.	Degree of protection	Number of modules	Rated data when voltage level			Cable connection Al/Cu	Weight
				400 V	690 V	1000 V		
				M *	A		mm <sup>2</sup>	kg/pcs
SLD 2	2CGX0 63050109	IP2X	12	400 **	355	100	50-300 ***	4.6

\* One module M = 12.5 mm.

\*\* 400 A with fuse, 630 A with linking knife.

\*\*\* Max. conductor cross section refers to connection with a stranded or solid conductor.

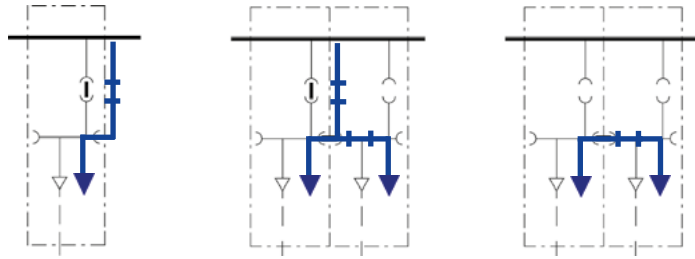
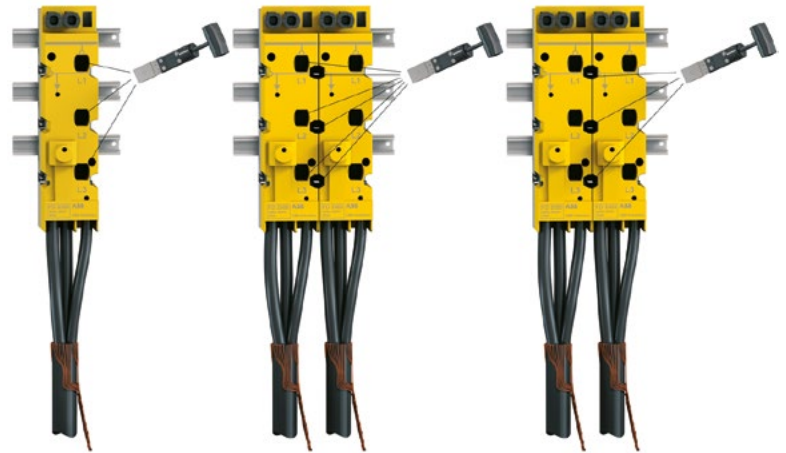
To be ordered separately:

Designation	ID No.	Degree of protection	Rated data	Dimensions			Cable connection Al/Cu	Numbers per kit	Weight
				H	B	D			
				mm			mm <sup>2</sup>	kg/pcs	
JDDA 2	2CGX0 63190401	–	16.2 kA/1 s	–	–	–	–	1	2.5
PHD 2	2CGX0 63090024	–	–	–	–	–	–	1	1.5
PHD 2 SDC	2CGX0 63090023	–	–	–	–	–	–	1	1.5
KSBD 2	2CGX0 63190110	–	–	–	–	–	–	3	0.1
KNB 2	2CGX0 53190321	–	630 A	–	–	–	–	3	0.2
STM 400	2CGX0 63090026	IP2X	400 V, 400 A	220	35	85	50-300	1	0.4
ADP 300	2CGX0 63090035	IP2X	690 V, 630 A	253	38	127	2/50-300	1	0.8

# Disconnecter with dependent manual operation FD 3300, 400 A



**FD 3300**  
Disconnecter.



Disconnecters are intended for single-pole breaking. By using the linking knives between adjacent disconnecters, the busbar system can be disconnected without stopping the current from the incoming cable passing through.



Installation of Kabeldon FD 3300



**Note:**

Switching devices to be tightened with the torque. For "Tightening torque" see page 5/6.



**KFB**  
Blocking device.

Designation	ID No.	Degree of protection	Number of modules	Rated data	Cable connection Al/Cu	Weight
			M *		mm <sup>2</sup>	kg/pcs
FD 3300	2CGX0 63030032	IP2X	7	500 V, 400 A	50-300 **	2.6

\* One module M = 12.5 mm.

\*\* Max. conductor cross section refers to connection with a stranded or solid conductor.

To be ordered separately:

Designation	ID No.	Weight
		kg/pcs
KFB	2CGX0 63190112	0.1

# Switching devices with dependent manual operation, 630 A SLDL 2, SLDL 2-1P, SLDL 3, SLDL 3-1P

2

The fuse-switch-disconnector available in four variants:

- SLDL 2, 400 A for three-pole breaking.
- SLDL 2-1P, 400 A for single-pole breaking.
- SLDL 3, 630 A for three-pole breaking.
- SLDL 3-1P, 630 A for single-pole breaking.

## Application area

SLDL is used in the low voltage part of substations and similar applications.

## Standard

- Meets the requirements of IEC 60947-3.
- Degree of protection, IP2X.

## Design

Fuse-switch-disconnectors' outer layer is made of fiber glass reinforced plastic with strength according to the requirements for use in substations.

- SLDL is 100 mm wide.
- Fits to the Kabeldon busbar system.
- To enable cable connection from above, the rear section of the apparatus can be reversed 180°. The handles' opening angle and direction are unchanged.
- The design allows visual inspection of the screw connections' mode after installation.
- The cable may be connected in the apparatus with clamps or cable lugs.
- Possibility for parallel operation of two SLDL.

## Suitable fuse sizes

- For SLDL 2 and SLDL 2-1P use NH2.
- For SLDL 3 and SLDL 3-1P use NH2, NH3.



### SLDL 2, SLDL 3

Three-pole fuse-switch-disconnector for 400 A and 630 A.

### SLDL 3-1P

Single-pole fuse-switch-disconnector for 630 A.

### SLDL 3

Three-pole fuse-switch-disconnector 630 A, mounted to connect the cable from above.

## NOTE:

- SLDL does not fit in the cable distribution cabinets type CDC, SDC and KSIP.
- Terminal clamps must be ordered separately.
- Switching devices to be tightened with torque. For "Tightening torque" see page 5/6.

Designation	ID No.	Degree of protection	Number of modules	Rated data		Cable connection Al/Cu mm <sup>2</sup>	Weight kg/pcs
				M *	V		
SLDL 2	2CGX0 63050242	IP 2X	8	400	400	35-240	5,5
				690	400	2//95-240	
				1000	160		
SLDL 2-1P	2CGX0 63050243	IP 2X	8	230	400	35-240	5,3
				400	400	2//95-240	
				690	160		
SLDL 3	2CGX0 63050240	IP 2X	8	400	630	35-240	6,4
				690	500	2//95-240	
				1000	160		
SLDL 3-1P	2CGX0 63050241	IP 2X	8	230	630	35-240	6,2
				400	500	2//95-240	
				690	160		

\* One module M = 12.5 mm.

# Accessories

## SLDL 2, SLDL 2-1P, SLDL 3, SLDL 3-1P



**CS SLDL**  
Protective hood, used when connecting cable from above.



**PHDL**  
Handle for parallel operation of two SLDL at once.



**KNB 2**  
Linking knife for fuseless disconnection.



**TCS 35-240**  
Terminal clamp for connection of a cable, 35–240 mm<sup>2</sup>. TCS is delivered in set of 3.



**TCD 50-240**  
Terminal clamp for parallel connection of two cables, 50–240 mm<sup>2</sup>. TCD is delivered in set of 3.



**KSBD 2**  
Blocking device protects against connection while working.

Accessories	Designation	ID No.	Weight kg/pcs
Protective hood	CS SLDL	2CGX0 63050244	0,05
Parallel handle	PHDL	2CGX0 63050249	0,2
Linking knife	KNB 2	2CGX0 53190321	0,1
Terminal clamp, single	TCS 35-240	2CGX0 53050279	0,5
Terminal clamp, parallel	TCD 50-240	2CGX0 53050280	0,8
Blocking device	KSBD 2	2CGX0 63190110	0,1

Terminal clamp	Fits to cable with	Conductor cross section
		mm <sup>2</sup>
TCS 35-240	sector-shaped stranded conductor	35-240
	sector-shaped solid conductor	35-300
	round stranded conductor	16-185
	round solid conductor	16-240
TCD 50-240	sektor stranded conductor	2//95-240
	sektor solid conductor	2//120-300
	round stranded conductor	2//50-185
	round solid conductor	2//70-240

# Switching devices with independent manual operation

## SEKOD, 125 A–355 A

2



### SEKOD 125

Switch-fuse with breaking on both sides of the fuse. 3-pole breaking with sealing possibility. System always dead when replacing fuses. Degree of protection is IP2X.



### SEKOD 224

Switch-fuse with breaking on both sides of the fuse. 3-pole breaking with sealing possibility. System always dead when replacing fuses. Degree of protection is IP2X.



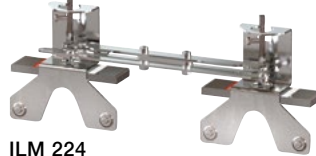
### SEKOD 355

Switch-fuse with breaking on both sides of the fuse. 3-pole breaking with sealing possibility. System always dead when replacing fuses. Degree of protection is IP2X.



### ILM 125

Mechanical interlocking mechanism for two switch-fuses SEKOD 125. Preventing activation of a SEKOD 125 if the other one is not in OFF-position.



### ILM 224

Mechanical interlocking mechanism for two switch-fuses SEKOD 224. Preventing activation of a SEKOD 224 if the other one is not in OFF-position.



### ILM 355

Mechanical interlocking mechanism for two switch-fuses SEKOD 355. Preventing activation of a SEKOD 355 if the other one is not in OFF-position.



### PSM 224

Parallel handle for the connection and disconnection of two parallel mounted SEKOD 224.



### KN 00

Linking knife.



### KN 1

Linking knife.

### Note:

Switching devices to be tightened with torque. For “Tightening torque” see page 5/6.

Designation	ID No.	Number of modules	Rated current	Cable connection Al/Cu	Fits in enclosures	Suitable fuse size	Weight
		M *	A	mm <sup>2</sup>			kg/pcs
SEKOD 125	2CGX0 63050233	12	125 **	50-300 ***	KSIK, CDC, SDC	NH 00	3.5
SEKOD 224	2CGX0 63050234	17	224 **	50-300 ***	KSIK, SDC	NH 0, NH 1	5.2
SEKOD 355	2CGX0 63050235	17	355 **	50-300 ***	KSIK, SDC	NH 1, NH 2	8.2

\* One module M = 12.5 mm.

\*\* Rated current with fuses in enclosure.

\*\*\* Max. conductor cross section refers to connection with a stranded or solid conductor.

### To be ordered separately

Designation	ID No.	Rated current	Qty. per kit	Weight kg/pcs
		A		
ILM 125	2CGX0 63090036	–	1	0.3
ILM 224	2CGX0 63090032	–	1	0.8
ILM 355	2CGX0 63090034	–	1	0.6
PSM 224	2CGX0 63090031	–	1	0.7
KN 00	2CGX0 53190319	125	3	0.1
KN 1	2CGX0 53190345	355	3	0.2

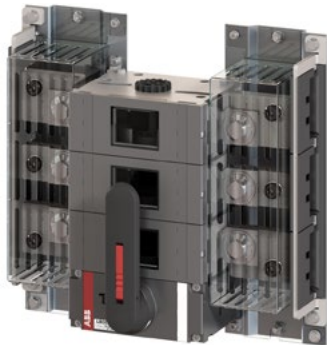
### Rated current with linking knives

Application area	SEKOD 125	SEKOD 224	SEKOD 355
Rated current with linking knives	160 A	250 A	400 A
Suitable linking knives	KN 00	KN 1	KN 1



# Switching devices with independent manual operation

## LBOD, SLOC, 540 A–1250 A



**LBOD 800**  
Section switch disconnecter without fuse up to 785 A. To be mounted on Kabeldon IP-system. Degree of protection IP2X.



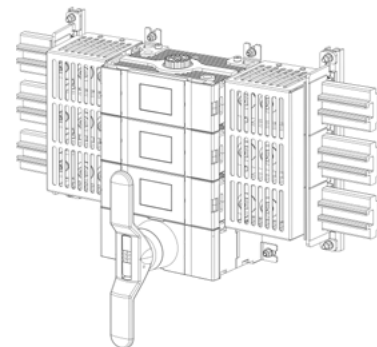
**LBOD 1000**  
Section switch disconnecter without fuse up to 1000 A. To be mounted on Kabeldon IP-system. Degree of protection IP2X.



**LBOD 1600**  
Section switch disconnecter without fuse up to 1250 A. To be mounted on Kabeldon IP-system. Degree of protection IP2X.



**SLOC 630**  
Section switch-fuse with breaking on both sides of the fuse. 3-pole breaking with sealing possibility. System always dead when replacing fuses. Degree of protection IP2X.



LBOD 1600 with divided busbar supports in both sides.

**Note:**

- Switching devices to be tightened with torque. For “Tightening torque” see page 5/6.

Designation	ID-number	Number of modules M*	Rated current [A]		Fits in enclosure type	Weight kg/pcs
			Enclosure	Open air		
LBOD 800	2CGX0 63050252	27	680	785	KSIK, SDC	11,1
LBOD 1000	2CGX0 63050253	27	950	1000	KSIK, SDC	16,6
LBOD 1600	2CGX0 63050254	38	1250	1325	KSIK, SDC	19,8
SLOC 630	2CGX0 63050250	27	540	615	KSIK, SDC	14,5

\* 1 module M = 12,5 mm.

# Adapter plates for moulded case circuit breakers (MCCB) XT 1-4, T5, T6 and T7



Easy installation of TmaxXT into Kabeldon system

2



### APXT 1-4

Adapter plate for circuit breaker type ABB SACE MCCB Tmax XT1, XT2, XT3 and XT4.

- Degree of protection IP2X
- Fits all Kabeldon Busbars.
- Fits all Kabeldon Enclosures.
- Meets the requirements of IEC 60947-2.



### CKXT 1-4

Kabeldon insulated connectors for circuit breaker type ABB SACE MCCB Tmax XT1, XT2, XT3 and XT4. To be used together with APXT adapter plate.



### KLAP T5 630

Adapter plate for plug-in socket to circuit-breaker ABB Tmax T5 630 for 525 A from ABB SACE.

- Fits all Kabeldon busbars.
- Meets the requirements of IEC 60947-1.
- Doesn't fit in Kabeldon enclosures.
- To be mounted when disconnected.

### Note:

Circuit-breaker and plug-in socket is not included.

For complete solution the additional should be ordered:

- Adapter plate KLAP T5 630.
- Circuit-breaker T5 630 – Fixed – 3-pole.
- Conversion kit from fixed to Plug-in, 1SDA 054847 R1.
- Plinth, 1SDA 054762 R1.
- Connector.



Moulded-case circuit-breaker ABB Tmax T5 and plug-in socket, mounted on adapter plate KLAP T5 630.



### ADP 300

Insulated connector for parallel conductors with fuse-switch-disconnectors SLD 1, SLD 2 and also circuit-breakers ABB Tmax T5.

### APXT 2&4 Kit

Adapter plate and Kabeldon insulated connectors can be ordered together as one kit for circuit breaker XT2 & XT4.



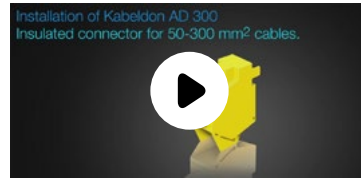
### Note:

Circuit-breaker is not included

Designation	ID No.	Number of modules	Rated data		Cable connection Al/Cu mm <sup>2</sup>	Dimensions with mounted circuit-breaker			Weight kg/pcs
			M *	V		A	Height	Width	
APXT 2 Kit	2CGD000218A1000	10	1000	160	50-300	370	115	147	2.13
APXT 4 Kit	2CGD000219A1000	10	1000	220	50-300	400	115	147	2.16
APXT 1	2CGD000208A1000	10	800	125	-	300	115	134	1.24
APXT 2	2CGD000211A1000	10	1000	160	-	300	115	147	1.29
APXT 3	2CGD000212A1000	10	800	200	-	300	115	134	1.32
APXT 4	2CGD000213A1000	10	1000	220	-	300	115	147	1.31
CKXT 1	2CGD000204A1000	10	800	125	50-300	160	105	100	0.81
CKXT 2	2CGD000205A1000	10	1000	160	50-300	165	105	100	0.84
CKXT 3	2CGD000206A1000	10	800	200	50-300	175	105	100	0.86
CKXT 4	2CGD000207A1000	10	1000	220	50-300	170	105	100	0.85
KLAP T5 630	2CGX0 53050209	12	400	525	-	395	150	296	3.0
ADP 300	2CGX0 63090035	3	690	630	2//50-300	-	-	-	0,8
A-S/T6 630	2CGX0 53050197	38	690	630	-	240	466	215	16,1
A-S/T6 800	2CGX0 53050198	38	640	800	-	308	466	215	17,8
A-T7 1000	2CGX0 53050294	42	690	1000	-	314	519	270	18,3

\* One module M = 12.5 mm.

# Connectors



Installation of Kabeldon AD 300



**ADC 25**  
Non-insulated connector.  
May only be used with non-protected busbars.



**AD 70**  
Non-insulated connector.  
May only be used with non-protected busbars.



**ADO 240**  
Non-insulated connector.  
May only be used with non-protected busbars.



**AD 350**  
Non-insulated connector for connecting three separate conductors.  
May only be used with non-protected busbars.



**AD 95**  
Insulated connector.



**AD 2150**  
Insulated connector for parallel conductors.



**AD 300**  
Insulated connector.



**AD 400**  
Insulated connector.



**ADB 3M**  
Insulated connector for compact fitting of AD 300 for 3 phases.



**STM 400**  
Conductor rail with connector for current transformer metering. Dimensions of conductor rail are 25x13 mm.



**ADP 300**  
Insulated connector for parallel conductors with fuse-switch-disconnectors SLD 1, SLD 2 and also circuit-breakers ABB Tmax T5.



**KSBH 300**  
Cover for disconnected cable, for protection against accidental contact, with AD 300 or AD 2150.



**ADN**  
Spacer for PEN bar, used with AD 300.

**Note:**

Switching devices and connectors must be tightened to the recommended torque. For "Tightening torque" see page 5/6.

Designation	ID No.	Number of modules	Width	Rated data		Degree of protection	Cable connection Al/Cu **	Weight
		M *	mm	V	A		mm²	
ADC 25	2CGX0 63030233	–	14	–	63	–	2 x 1,5-25	0,1
AD 70	2CGX0 63030038	–	23	–	200	–	6-95	0,1
ADO 240	2CGX0 63030263	3	30	–	400	–	120-240	0,25
AD 350	2CGX0 63030262	–	38	–	400	–	3 x 6-50	0,2
AD 95	2CGX0 63030249	2	25	690	200	IP2X	6-95	0,1
AD 2150	2CGX0 63030037	3	38	690	400	IP2X	35-2//150	0,2
AD 300 ***	2CGX0 63030195	3	38	690	630	IP2X	50-300	0,2
AD 400	2CGX0 63030267	3	42	690	630	IP2x	50-400	0,47
ADB 3M ****	2CGX0 63030258	3	38	500	500	IP2X	–	0,7
STM 400	2CGX0 63090026	3	35	400	400	IP2X	50-300	0,4
ADP 300	2CGX0 63090035	3	38	690	630	IP2X	2//50-300	0,8
KSBH 300	2CGX0 63190111	–	46	–	–	–	–	0,1
ADN	2CGX0 63030231	–	37	–	500	–	–	0,3

\* One module M = 12.5 mm.

\*\* Max conductor cross section refers to connection with a stranded or solid conductor.

\*\*\* Three-phase connection, 6-9 modules.

\*\*\*\* ADB 3M to be supplemented with three AD 300

# Busbar system with accessories

## With protection (IP2X) against accidental contact, 400 A–1600 A

2



**KSFS 420-473**  
400 A.



**KSFS 1083-10126**  
1000 A.



**KSFS 640 A-698 A**  
630 A.



**KSFS 1683-16181**  
1600 A.



**AB 800-53, AB 1200-53, AB 1200-70**

For connection to the back of the busbar; fits KSFS 1000 A and KSFS 1600 A bar. The kit includes:

- Plastic cover.
- Thread insert, M12/M16 length 53 respectively 70mm.
- Connecting washer.
- Flat washer, Ø 36 mm.
- Compression washer, Ø 29 mm.
- Nut, M12.

Note: Cable lug is not included in the kit.

**Note:**  
The stated rated current is the maximum current in any part of the busbar.

Designation	ID No.	Number of modules	Rated data	Suitable busbar support		Length	Weight
				KSST 36	KSST 316		
					KSST 316/23		
M *	A	mm	kg/m				
KSFS 420	2CGX0 43320260	20	400	x	x	284	0.6
KSFS 440	2CGX0 43320261	40	400	x	x	534	0.6
KSFS 443	2CGX0 43320037	43	400	x	x	569	0.6
KSFS 448	2CGX0 43320258	48	400	x	x	636	0.6
KSFS 460	2CGX0 43320262	60	400	x	x	784	0.6
KSFS 463	2CGX0 43320038	63	400	x	x	809	0.6
KSFS 473	2CGX0 43320264	73	400	x	x	950	0.6
KSFS 640 A	2CGX0 43320363	40	630	x	x	534	0.9
KSFS 643 A	2CGX0 43320367	43	630	x	x	569	0.9
KSFS 648 A	2CGX0 43320365	48	630	x	x	636	0.9
KSFS 660 A	2CGX0 43320364	60	630	x	x	784	0.9
KSFS 663 A	2CGX0 43320368	63	630	x	x	809	0.9
KSFS 673 A	2CGX0 43320369	73	630	x	x	950	0.9
KSFS 698 A	2CGX0 43320366	98	630	x	x	1264	0.9
KSFS 1083	2CGX0 43320145	83	1000	–	x	1079	1.6
KSFS 1098	2CGX0 43320156	98	1000	–	x	1264	1.6
KSFS 10126	2CGX0 43320146	126	1000	–	x	1600	1.6
KSFS 1683	2CGX0 43320152	83	1600	–	x	1079	3.0
KSFS 1698	2CGX0 43320158	98	1600	–	x	1264	3.0
KSFS 16126	2CGX0 43320153	126	1600	–	x	1600	3.0
KSFS 16149	2CGX0 43320154	149	1600	–	x	1890	3.0
KSFS 16181	2CGX0 43320155	181	1600	–	x	2300	3.0

\* One module M = 12.5 mm.

Designation	ID No.	Number of modules	Rated data	Diameter	Length of Thread insert	Qty per pack	Weight
				Ø			kg/pcs
M *	mm	mm					
AB 800-53	2CGX0 53030500	–	500 V, 800 A	26	53	1	0.1
AB 1200-53	2CGX0 53030501	–	500 V, 1200 A	37	53	1	0.1
AB 1200-70	2CGX0 53030502	–	500 V, 1200 A	37	70	1	0.1

\* One module M = 12.5 mm.

# Busbar system with accessories

## Without protection against accidental contact

### type PEN, PE and N, 400 A–1000 A



**KSNS 417-498**  
400 A.



**KSNS 1083-10181**  
1000 A.



**KSNSV 410**  
Vertical PEN-bar, used in replacement of equipment in older enclosures where PEN-bar has not enough space.

Designation	ID No.	Dimensions			Weight
		Length	Width	Depth	kg/pcs
KSNSV 410	2CGX0 63120002	160	36	62	0,26

Designation	ID No.	Number of modules	Rated current	Length	Weight
		M *	A	mm	kg/m
KSNS 417	2CGX0 43320059	17	400	209	0.6
KSNS 420	2CGX0 43320192	20	400	333	0.6
KSNS 440 **	2CGX0 43320193	40	400	585	0.6
KSNS 443	2CGX0 43320052	43	400	569	0.6
KSNS 460	2CGX0 43320194	60	400	784	0.6
KSNS 463	2CGX0 43320053	63	400	809	0.6
KSNS 473	2CGX0 43320196	73	400	900	0.6
KSNS 498	2CGX0 43320190	98	400	1214	0.6
KSNS 498 KSIK	2CGX0 43320195	98	400	1266	0.6
KSNS 1083	2CGX0 43320162	83	1000	1079	1.6
KSNS 1098	2CGX0 43320169	98	1000	1212	1.6
KSNS 1098 KSIK	2CGX0 43320343	98	1000	1264	1.6
KSNS 10126	2CGX0 43320163	126	1000	1600	1.6
KSNS 10149	2CGX0 43320164	149	1000	1890	1.6
KSNS 10181	2CGX0 43320165	181	1000	2300	1.6

\* One module M = 12.5 mm.

\*\* KSNS 440 is used with SDC X48 and CDC X40.

# Busbar system

## 5-wire system

Kit for conversion to 5-wire system, TN-S or TN-C-S.

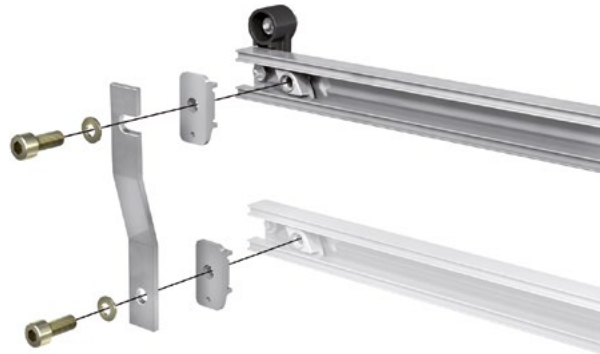
2

The kit includes a 400 A non-protected busbar.

- CXX-TNS fits in enclosures type CDC.
- SD XX-TNS fits in enclosures type SDC.

**Note:**

For additional information regarding upgrading kit for 1000 A or for use in enclosure type KSIK please contact your supplier.



Designation	ID No.	Fits enclosure	Number of modules	Rated current	Length	Weight
			M *	A	mm	kg/pcs
C20-TNS	2CGX0 53310613	CDC 20	20	400	333	0.6
C40-TNS	2CGX0 53310614	CDC 40	40	400	583	0.7
C60-TNS	2CGX0 53310615	CDC 60	60	400	833	0.9
SD 48-TNS	2CGX0 53320208	SDC 48	48	400	584	0.9
SD 73-TNS	2CGX0 53320219	SDC 73	73	400	898	1.0
SD 98-TNS	2CGX0 53320209	SDC 98	98	400	1212	1.2
KD 43-TNS	2CGX0 53320210	KSIK 043	43	400	570	0,6
KD 63-TNS	2CGX0 53320211	KSIK 063	63	400	810	0,7
KD 98-TNS	2CGX0 53320212	KSIK 098	98	400	1270	1,0

\* One module M = 12.5 mm.

# Busbar system with accessories

## Busbar supports



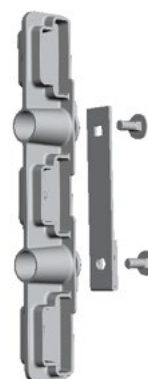
**KSST 36**  
Support for 400 A and 630 A busbars. Fixing hole pitch 85 mm. To split busbar systems for metering with current transformers, etc.



**KSST 316, 316/23, 316/100**  
Support for 400 A, 630 A, 1000 A and 1600 A busbars. Primarily in enclosures type SDC.



**KSST-CDC**  
Support for 400 and 630 A busbars when mounting in enclosure type CDC. The kit consists of a complete support and two fixing bolts.



**KSST 36-CDC**  
Support for 400 A and 630 A phase bars. Fixing hole pitch is 85 mm. Used in split and shortened busbar systems in CDC enclosures.



**KLKB-S 630, 1200**  
Bar bridge to interconnect busbar systems in two enclosures. May only be installed on dead busbar.

Designation	ID No.	Rated current	Free space behind the bars	Number of modules	Suitable enclosures	Weight kg/pcs
		A	mm	M *		
KSST 36	2CGX0 53320186	–	11	2	all	0.1
KSST 316	2CGX0 53320104	–	9	2	all	0.5
KSST 316/23	2CGX0 53320106	–	23	2	all	0.8
KSST 316/100	2CGX0 53320105	–	100	2	SDC	1.1
KSST-CDC	2CGX0 53320231	–	15	–	CDC	0.4
KSST 36-CDC	2CGX0 53320187	–	15	2	CDC	0.3
KLKB-S 630	2CGX0 53090053	630	–	–	all	3.4
KLKB-S 1200	2CGX0 53090054	1200	–	–	SDC	6.6

\* One module M = 12.5 mm.

# Busbar system with accessories

## Middle support for 400–1600 A busbars

2



### MSB 316

Middle support fits to KSST 316.  
Made from non-magnetic stainless steel.



### MSB 316/23

Middle support fits to KSST 316/23.  
Made from non-magnetic stainless steel.



### MSB 316/100

Middle support fits to KSST 316/100.  
Made from non-magnetic stainless steel.

#### Note:

- In order to fulfill the requirements for short-circuit strength normally a middle support is mounted when the distance between two busbar supports exceeds 1.25 meters.
- Not required in Kabeldon standard enclosures unless they are built together with through busbar system.

Designation	ID No.	Free space behind the busbars	Number of modules	Weight
		mm	M *	kg/pcs
MSB 316	2CGX0 53320201	9	1	0.5
MSB 316/23	2CGX0 53320202	23	1	0.8
MSB 316/100	2CGX0 53320203	100	1	1.2

\* One module M = 12.5 mm.





# Busbar system for substations and low voltage switchgears 2500 A

The system has been tested for up to 65 kA short-circuit current.

2

Simple to connect power supply at rear with connection washer, AB 2500 CSS without any treatment of busbar. Each busbar is lifted into place separately from the front prior to attachment.

## Busbars and accessories

### Phase busbars, KSFS 25150, 25182 CSS

Busbars with protection against contact.

### Non-protected busbars, KSNS 25150, 25182 CSS

Busbars without protection against contact for use as PEN, PE or N busbars.

### Connection washer, AB 2500 CSS

- For connection at the rear of the busbar.
- Fits busbars, KSFS 16183 CSS and KSFS 16151 CSS.

### Busbar support, KSST 325 CSS

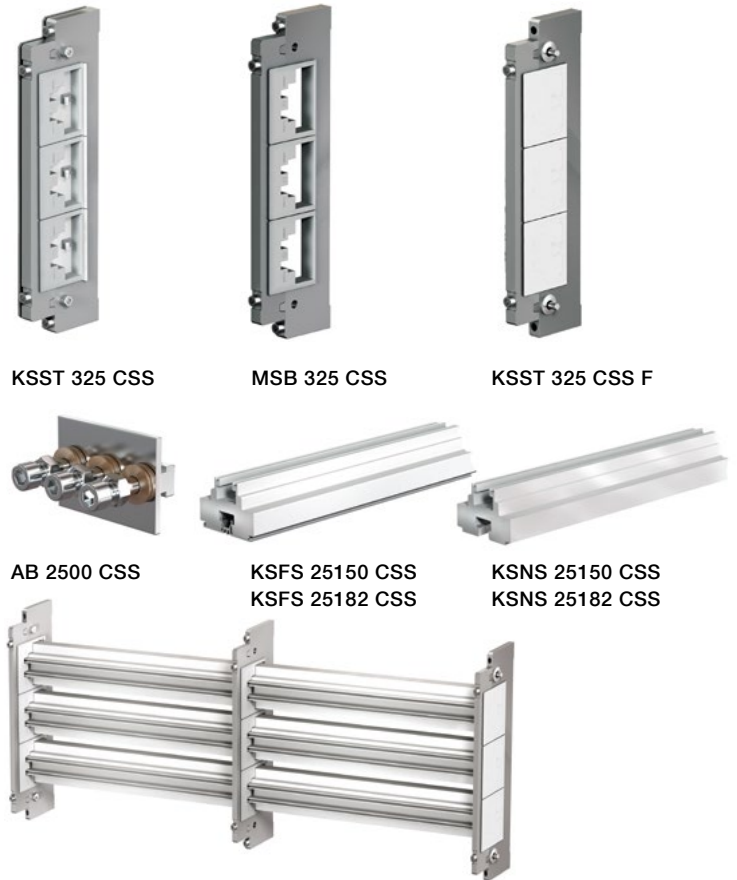
Reinforced busbar support for wall mounting, includes an additional support for lateral movements.

### Middle support, MSB 325 CSS

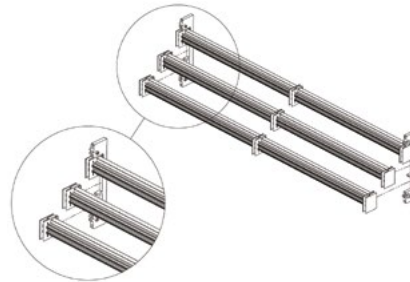
In order to fulfill the requirements for short-circuit strength normally a middle support is mounted when the distance between two busbar supports exceeds 1.25 meters.

### Busbar support, KSST 325 CSS-F

Support for frame mounting. To be placed between two opposing walls, providing support for the busbars.



A complete installation as shown in this figure consists of two busbar supports, a middle support, three busbars and three connection washers.



Quick installation, each busbar is lifted into place separately from the front prior to attachment.

Designation	ID No.	Degree of protection	Number of modules	Dimensions				Weight
				Height	Length	Width	Depth	
KSFS 25150 CSS	2CGX0 53320354	IP2X	150	70	1910	–	49	8.8
KSFS 25182 CSS	2CGX0 53320353	IP2X	182	70	2310	–	49	10.6
KSNS 25150 CSS	2CGX0 43320501	IPOX	150	70	1910		49	8.8
KSNS 25182 CSS	2CGX0 43320500	IPOX	182	70	2310		49	10.6
KSST 325 CSS	2CGX0 53320251	–	4	365	–	43	114	2.4
MSB 325 CSS	2CGX0 53320250	–	2	365	–	19.5	114	1.2
KSST 325 CSS-F	2CGX0 53320249	–	3	365	–	27	114	1.2
AB 2500 CSS	2CGX0 53320248	IPOX	7	60	–	80	56	0.3

\* One module M = 12.5 mm.

# General accessories

## For OEM manufacturers



### AB 800-53, AB 1200-53, AB 1200-70

Connection kit for connection to the rear of the busbar.  
Fits KSFS 1000 A and KSFS 1600 A busbars.

The kit includes:

- Plastic cover.
- Thread insert, M12/M16 length 53 respectively 70mm.
- Connecting washer.
- Flat washer, Ø 36 mm.
- Compression washer, Ø 29 mm.
- Nut, M12.

Note: Cable lug is not included in the kit.



### ADR M8/M10

Connector kit for connection to the front of the busbar, with M8 or M10 thread.

### ADR H12

For connection to the front of the busbar, with Ø12 hole.  
For busbars without protection against accidental contact.

Designation	ID No.	Number of modules	Rated data	Diameter Ø	Length of Thread insert	Qty per pack	Weight
		M *		mm	mm		kg/pcs
AB 800-53	2CGX0 53030500	–	500 V, 800 A	26	53	1	0.1
AB 1200-53	2CGX0 53030501	–	500 V, 1200 A	37	53	1	0.1
AB 1200-70	2CGX0 53030502	–	500 V, 1200 A	37	70	1	0.1
ADR M8 **	2CGX0 63030239	2	500 V, 630 A	–	–	50	0.1
ADR M10 **	2CGX0 63030240	2	500 V, 630 A	–	–	50	0.1
ADR H12	2CGX0 63030259	2	500 V, 630 A	–	–	50	0.1

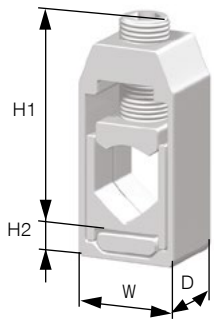
\* One module M = 12.5 mm.

\*\* M8 and M10 screw thread respectively.

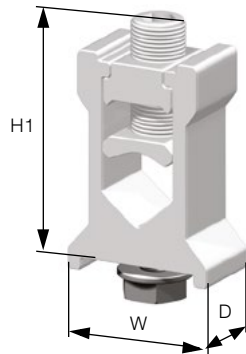
# General accessories

## For OEM manufacturers

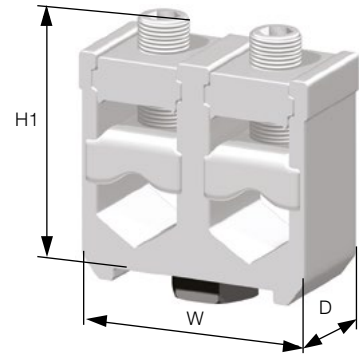
2



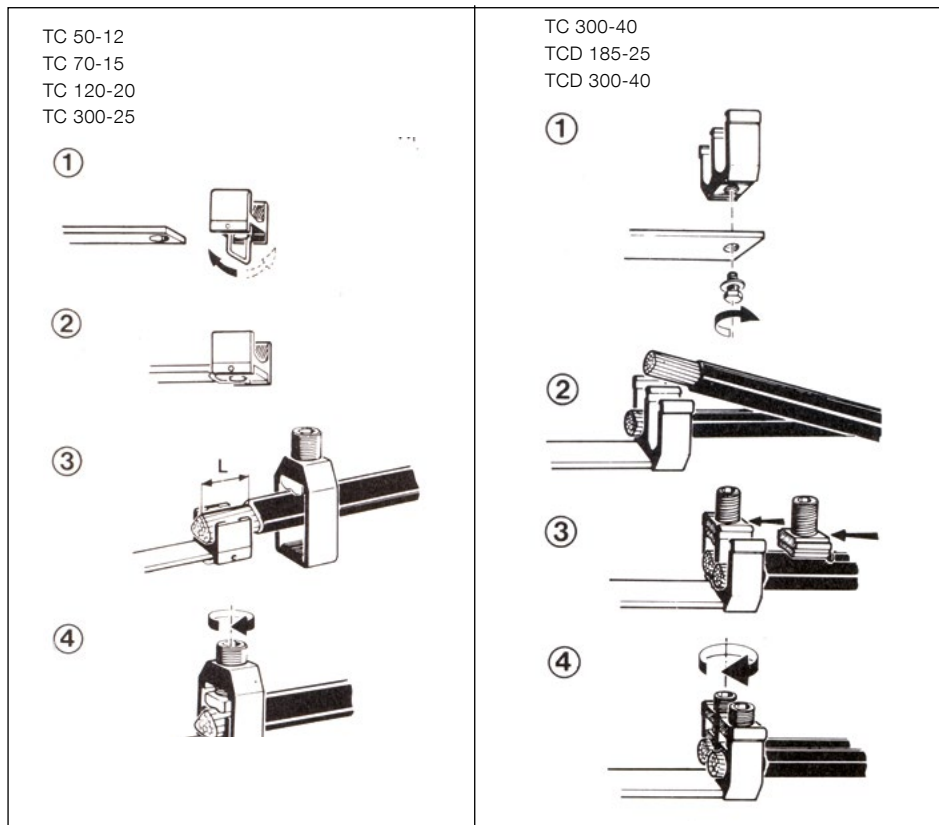
**TC**  
Connecting clamp.



**TC 300-40**  
Connecting clamp TC 300-40.



**TCD**  
Connecting clamp TCD.



Designation	ID No.	Busbar		Conductor cross section Al/Cu	Connecting clamp				Weight
		Width	Thickness		W	H1	H2	D	
		mm							
TC 50-12	2CGX0 63030202	12	1.5-3	6-50	21	27	5	16	0.02
TC 70-15	2CGX0 63030203	15	2-4	10-70	26	47	12	16	0.04
TC 120-20	2CGX0 63030204	20	3-5	35-120	32	60	12	22	0.08
TC 300-25	2CGX0 63030205	25	4-6	70-300	40	85	13	30	0.2
TC 300-40	2CGX0 63030209	40	4-6	95-300	47	84	-	30	0.2
TCD 185-25	2CGX0 63030206	25	4-6	2//50-185	48	75	-	30	0.2
TCD 300-40	2CGX0 63030207	40	4-6	2//95-300	65	84	-	30	0.3

# General accessories



### TFU 25

Single-phase power outlet for temporary connections, e.g. for a hand lamp or power drill.

- Mounts directly on the busbar.
- Conductor cross section, max. 35 mm<sup>2</sup> Al/Cu.
- Diazed fuse max 25 A.

Connectors for the PE and N conductors are also needed (see the page about connectors).



### KSKP 25/50

Terminal block.



### AK-ADAS

Prefabricated connector for the extension of Al cable, while connecting in a cable distribution cabinet, a service distribution board or in switch-gears. Dimensioned in accordance with the cable loading and short-circuit data.

- Meets the requirements of: IEC 61238-1
- Flexible insulated Cu conductor compressed onto a prefabricated Al/Cu cable connection. The aluminium part is designed for crimping with the Elpress system. The length of all the connectors are 700 mm.



### PSFS 5/17

Plate for sealing phase bar.



### PBKP 25/50

Seal cover for KSKP 25/50.



### UKRA 90

Universal clamp for fixing cables with Ø 20-90 mm, on mounting rails in a cabinet, for example.

Designation	ID No.	Number of modules	Rated data	Cable connection	Dimensions			Weight
					Al/Cu	Height	Width	
					mm <sup>2</sup>	mm	mm	kg/pcs
TFU 25	2CGX0 63140001	-	230 V, 25 A	1.5 -35	84	30	185	0.3
KSKP 25	2CGX0 63130005	-	500 V, 63 A	1.5-25	-	56	-	0.2
KSKP 50	2CGX0 63130007	-	400 V, 160 A	6-50	-	73	-	0.3
PSFS 5	2CGX0 53050143	5	-	-	-	-	-	0.1
PSFS 17	2CGX0 53050144	17	-	-	-	-	-	0.1
PBKP 25	2CGX0 53050141	-	-	-	-	80	-	0.1
PBKP 50	2CGX0 53050142	-	-	-	-	96	-	0.1

\* 1 module M = 12.5 mm.

Designation	ID No.	Fits aluminium conductor cross section	Conductor cross section of connector	Weight
		mm <sup>2</sup>	mm <sup>2</sup>	kg/pcs
AK-ADAS 5025-7	2CGX0 63030075	50	25	0.2
AK-ADAS 7035-7	2CGX0 63030082	70	35	0.2
AK-ADAS 9550-7	2CGX0 63030090	95	50	0.5
AK-ADAS 12070-7	2CGX0 63030097	120	70	0.5
AK-ADAS 15070-7	2CGX0 63030104	150	70	0.6
AK-ADAS 185120-7	2CGX0 63030115	185	120	0.9
AK-ADAS 240120-7	2CGX0 63030118	240	120	1.0

Designation	ID No.	Diameter	Qty per pack	Weight
		mm		kg/pcs
UKRA 90	2GLX0 65300013	20-90	1	0.2

# Street lighting boxes

## GBL 63

2



### GBL 63

Street lighting box for five-wire system (TN-S).

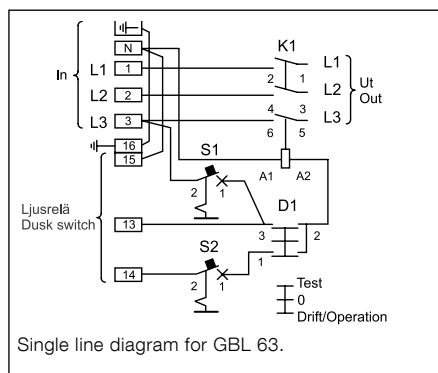
- Can be mounted on mounting plate in the upper section of enclosures CDCM and SDCM.
- Contactor for 63 A.
- Degree of protection IP3X.
- 7 M (125) free space for kWh metering, control etc.

Connectable cable cross-section:

- Incoming/outgoing cable to terminal block, max. 16 mm<sup>2</sup>.
- Incoming/outgoing wiring for control circuits, max. 4 mm<sup>2</sup>.

### Maximum lighting loads switched by contactor (Data coming from the contactor manufacturer)

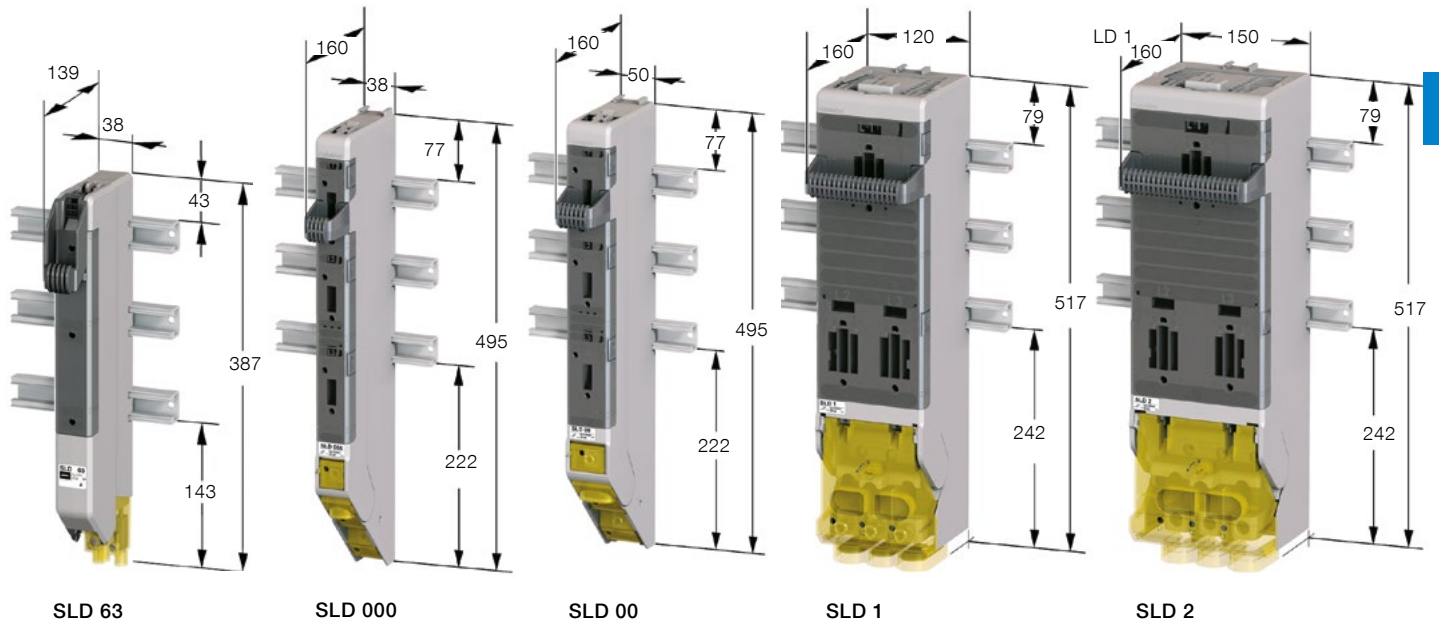
Lamp type	Lamp Wattage	Lamp rated current 230 V	Max Quantity
			lamps/phase
	W	A	GBL 63
High-pressure sodium Metall-halogen lamps Uncompensated	150	1,8	23
	250	3,0	14
	400	4,4	9
	600	6,2	7
	1000	10,3	4
High-pressure sodium Metall-halogen lamps Compensated	150	1,0	50
	250	1,5	33
	400	2,5	20
	600	3,3	15
	1000	6,2	8
Mercury, high pressure Uncompensated	125	1,2	37
	250	2,2	20
	400	3,3	13
Mercury, high pressure Compensated	125	0,7	64
	250	1,3	33
	400	2,1	21



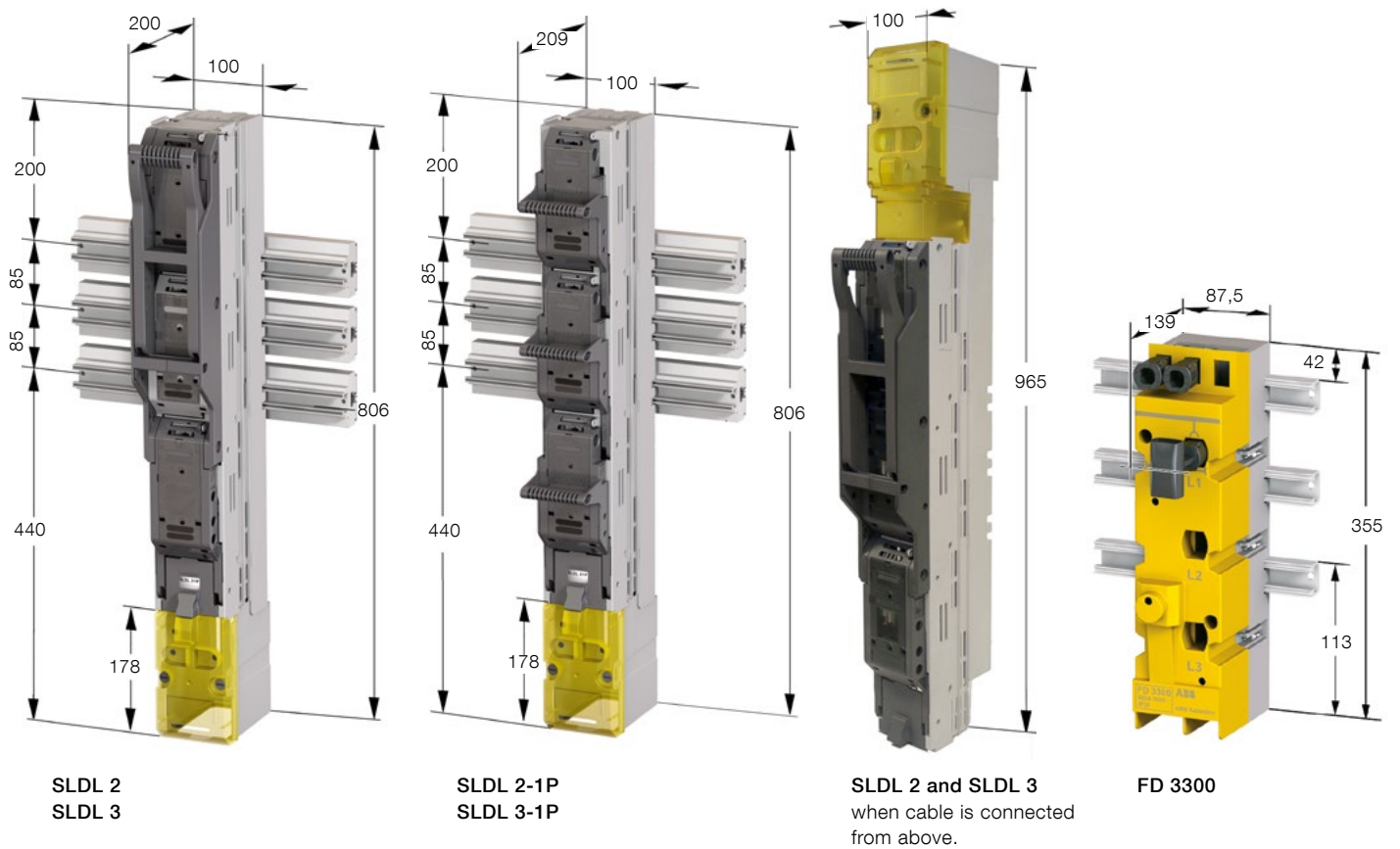
Designation	ID No.	Rated data	Cable connection	Dimensions			Weight
				Height	Width	Depth	
				mm <sup>2</sup>	mm	mm	kg/pcs
GBL 63	2CGX0 63190374	400 V, 63 A	4Cu/16 Al/Cu	382	250	132	4.8

# Dimension drawings

All dimensions in mm



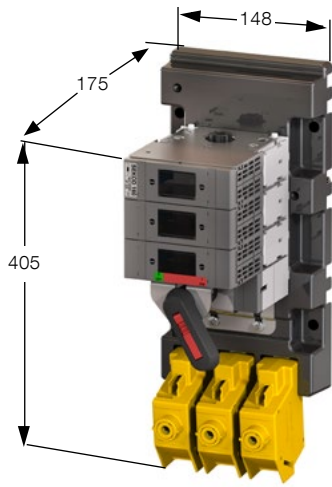
2



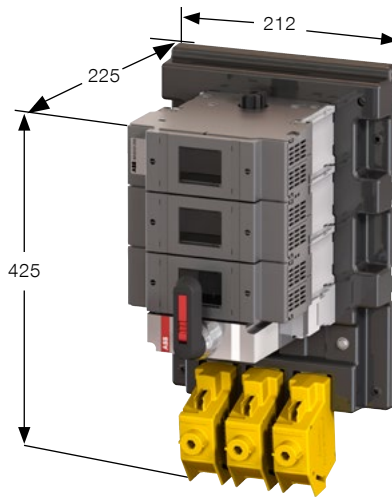
# Dimension drawings

All dimensions in mm

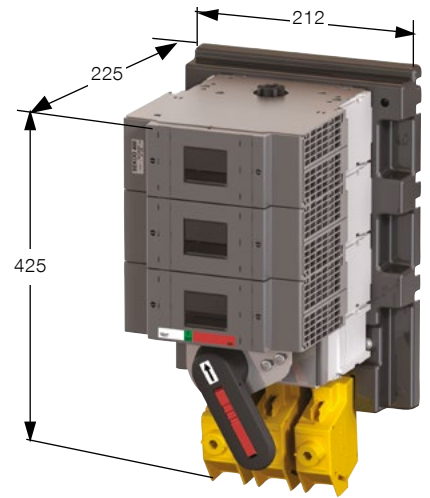
2



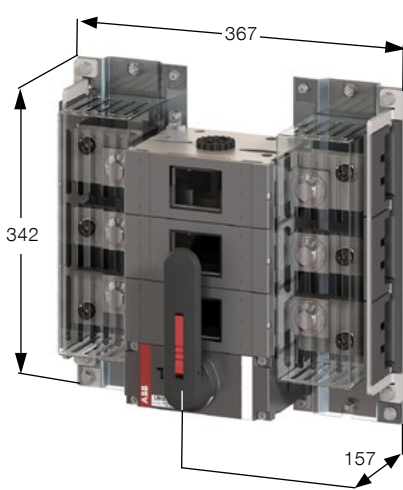
SEKOD 125



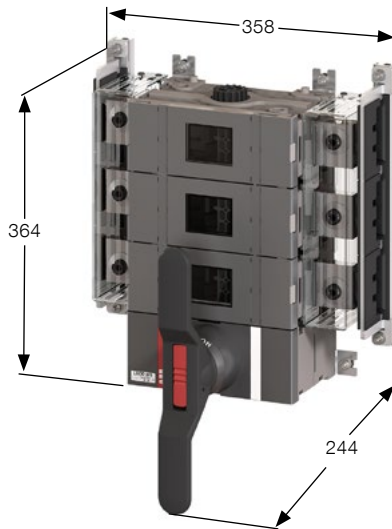
SEKOD 224



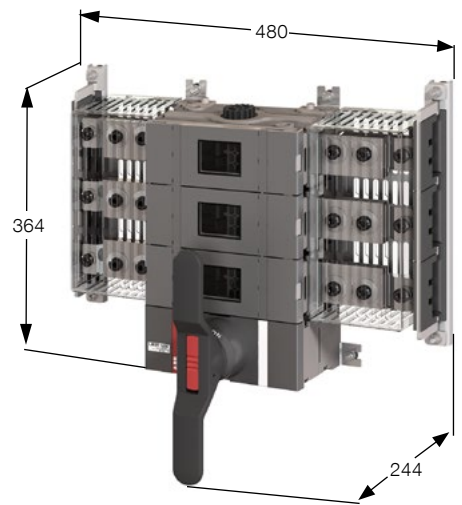
SEKOD 355



LBOD 800



LBOD 1000



LBOD 1600

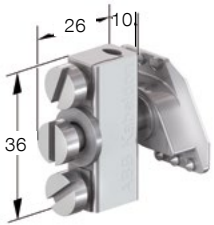


SLOC 630

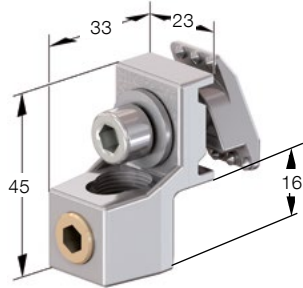


# Dimension drawings

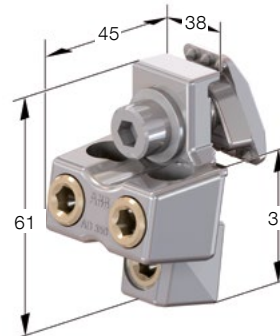
All dimensions in mm



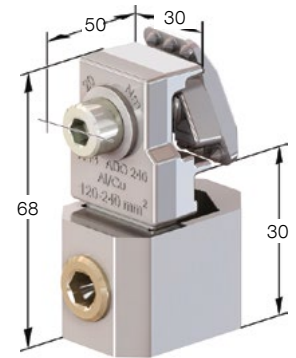
ADC 25



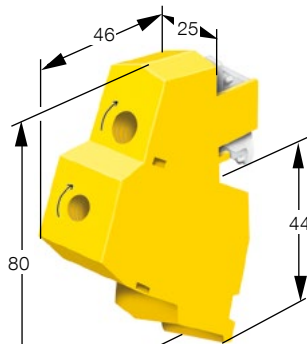
AD 70



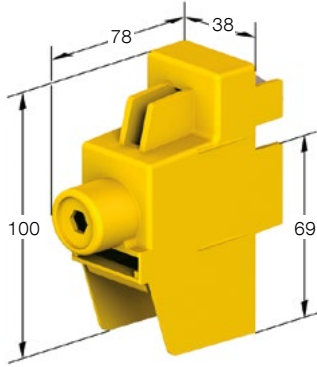
AD 350



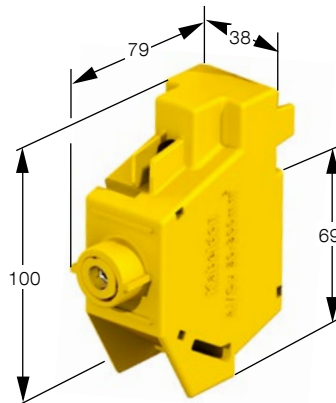
ADO 240



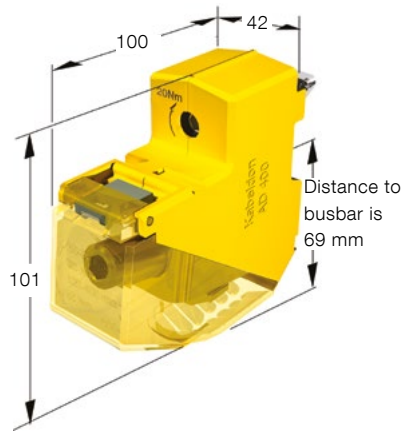
AD 95



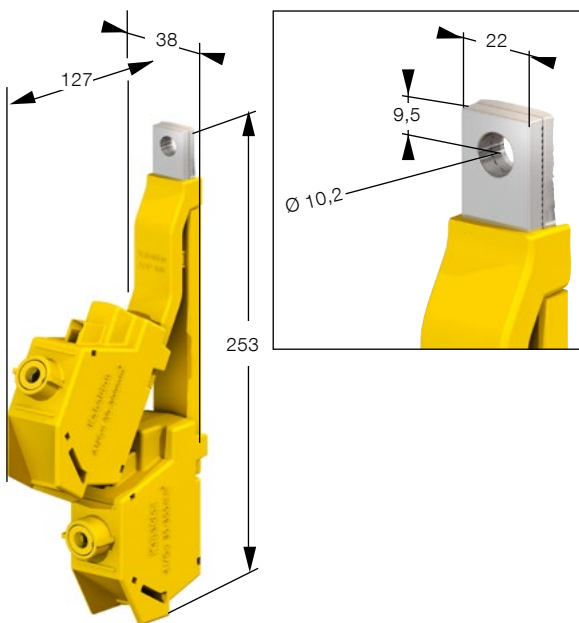
AD 2150



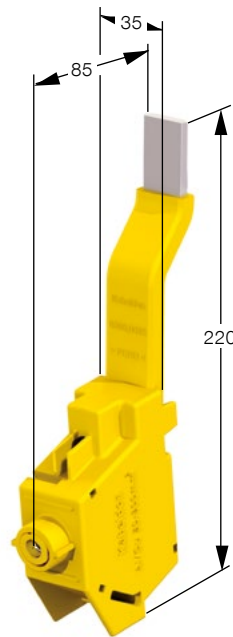
AD 300



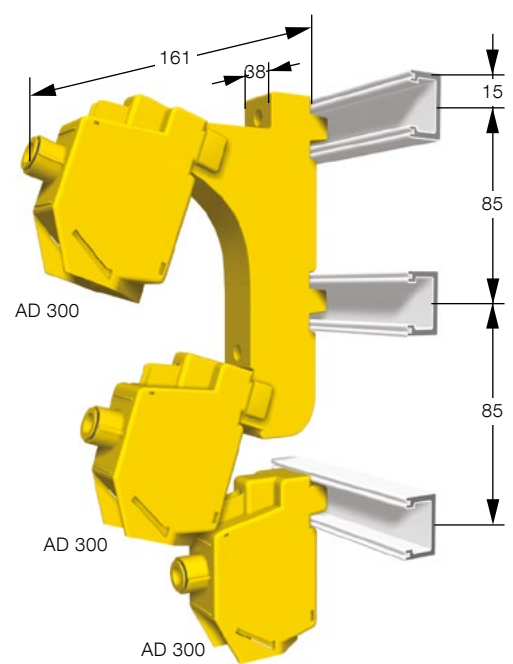
AD 400



ADP 300



STM 400

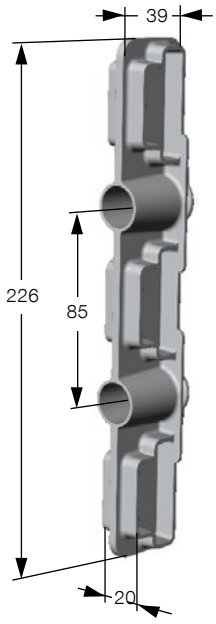


ADB 3M + 3 AD 300

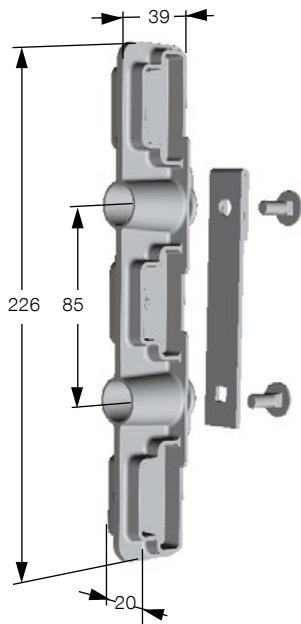
# Dimension drawings

## Busbar supports and middle supports 400-1600 A

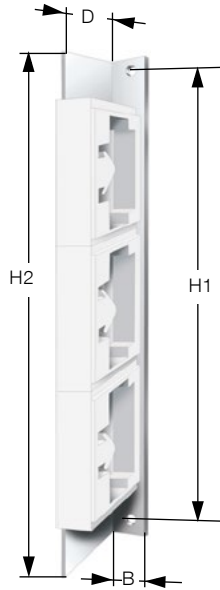
2



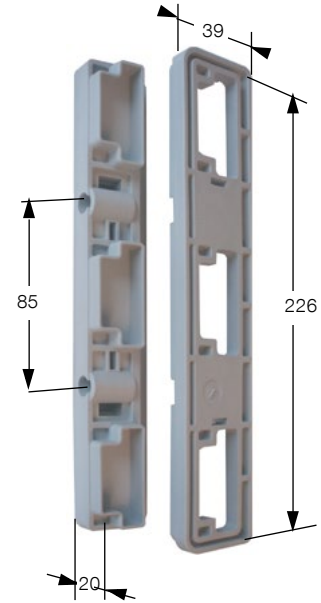
KSST 36



KSST 36-CDC

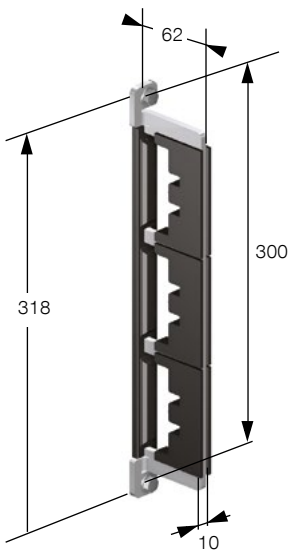


KSST 316, 316/23, 316/100

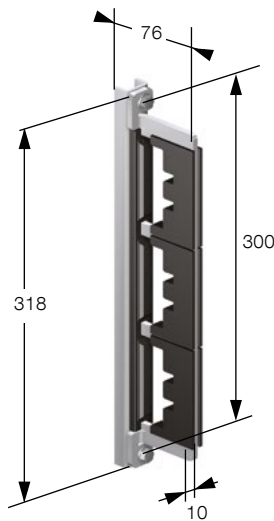


KSST-CDC

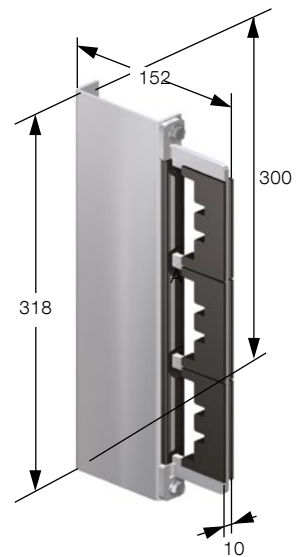
Designation	H1	H2	B	D
	mm			
KSST 316	300	320	20	46
KSST 316/23	300	320	20	60
KSST 316/100	300	320	39	136



MSB 316



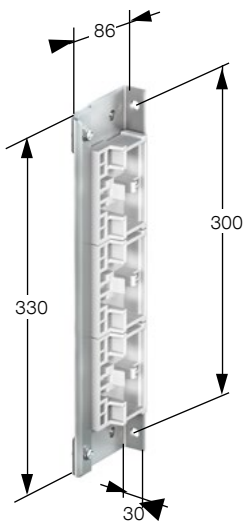
MSB 316/23



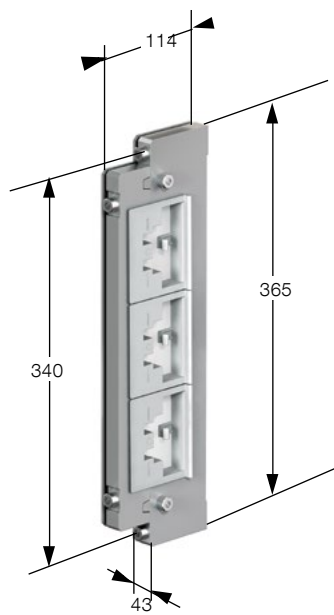
MSB 316/100

# Dimension drawings

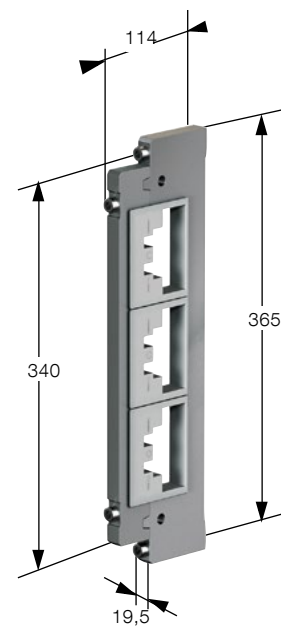
## Busbar supports and middle supports 1600 A and 2500 A



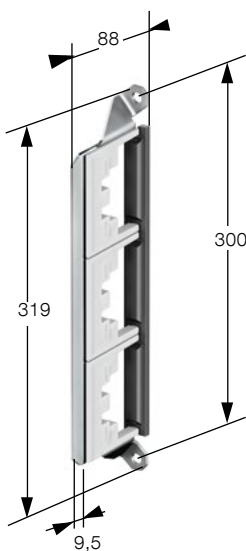
KSSTD 312/16



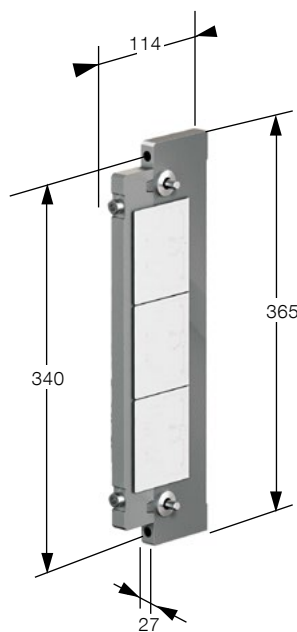
KSST 325 CSS



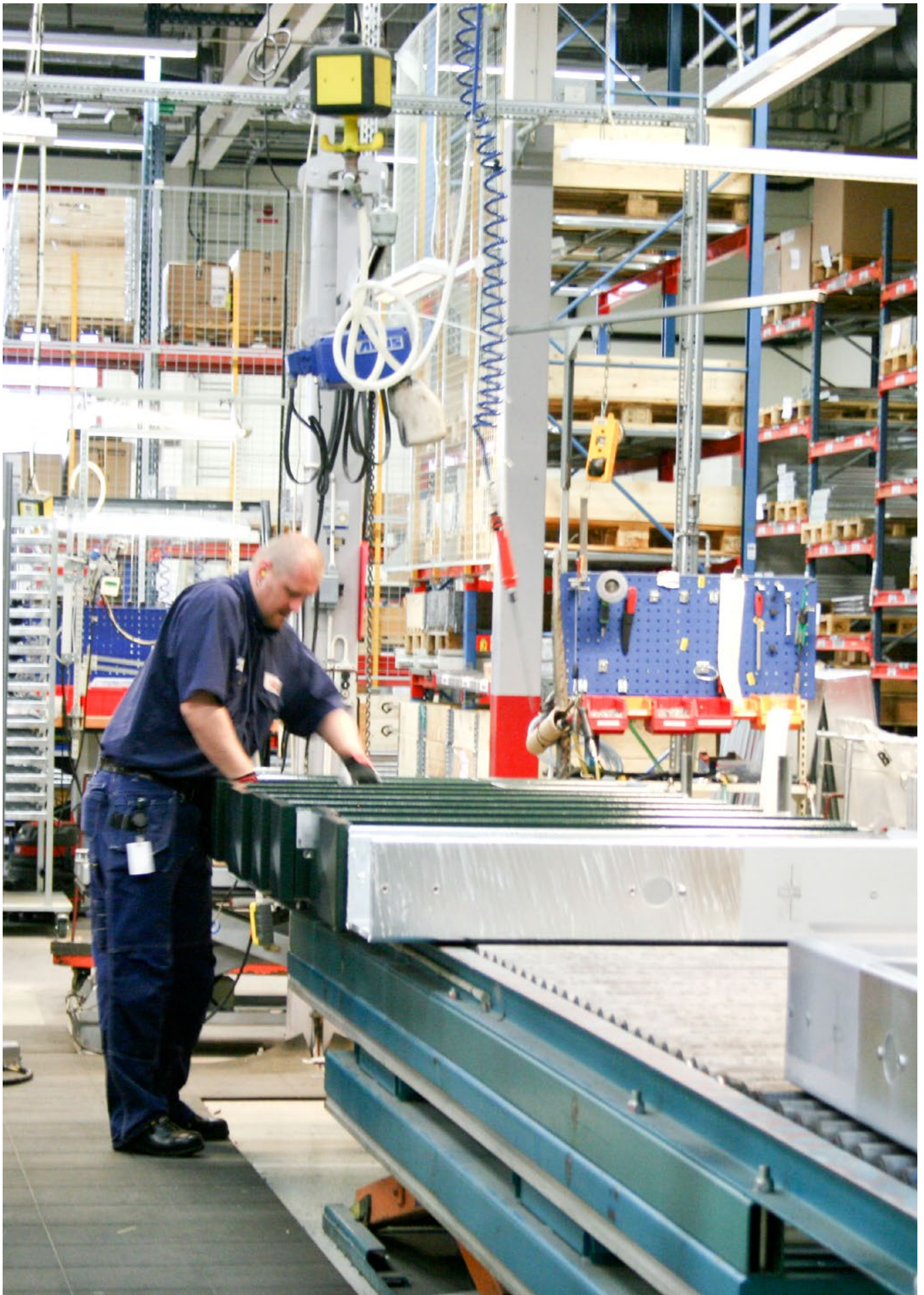
MSB 325 CSS



MSBD 312/16



KSST 325 CSS F



# Table of Contents

## Enclosures

### Standards

Enclosures	3/4
------------	-----

### Enclosures

Hot-dip galvanized enclosures – CDC	3/7
Hot-dip galvanized enclosures – SDC	3/9
Powder coated enclosures for indoor use – KSIK	3/11
Hot-dip galvanized enclosures with upper section – CDCM	3/13
Hot-dip galvanized enclosures with upper section – SDCM	3/15
Hot-dip galvanized pole-mounted cable distribution cabinets – CDCP	3/17
Hot-dip galvanized accessory cabinet – CDCA, CDCA-BV	3/19
Hot-dip galvanized enclosures for telecommunications, fibre-optic cables	3/23

### Options and accessories

Accessories – Enclosures	3/25
Accessories – Enclosures SDC and SDCM	3/26
Accessories – kWh metering	3/27
Accessories – Locks and tools	3/31
Accessories – Keys and tools	3/32
Examples of enclosure combinations	3/33

### Dimension drawings

Dimension drawing – CDC, SDC	3/34
Dimension drawings – KSIK, CDCM	3/35
Dimension drawings – SDCM, CDCA, CDCP	3/36



# Standards

## Enclosures

### Enclosure

Enclosure series CDC and SDC are made of galvanized steel sheet and with the performance standards ISO 1461, IEC 61439-1, IEC 61439-5.

- IEC ISO 1461: Inorganic coatings - Hot dip galvanized coatings on fabricated iron and steel articles - Specifications and test methods (ISO 1461:1999).
- IEC 61439: Part 1: Low-voltage switchgear and controlgear assemblies – Part 5: Assemblies for power distribution in public networks.

The enclosures KSIK are powder coated steel enclosures indoors. Environmental Class C1 and C2 according to:

- IEC ISO 12944-2: Paints and varnishes – Corrosion protection of steel structures by painting.
- Part 2: Classification of environmental conditions (ISO 12944-2:1998).

### Degree of protection

The degree of protection is IP34D, in accordance with the requirements of IEC 60529, unless otherwise stated under “Technical data”.

### Excavation depth

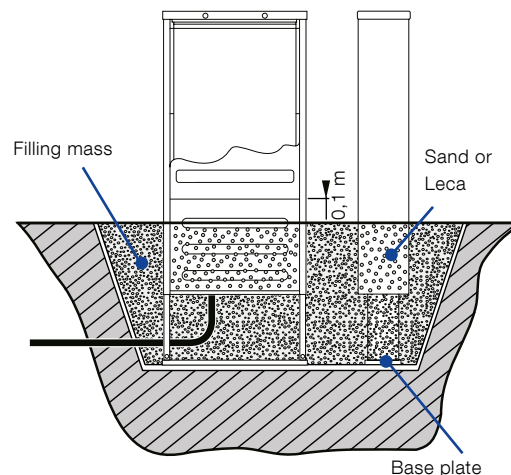
To ensure an attractive and functional installation in the ground, we recommend excavating to a depth at which about 10 cm of the foundation is visible above the restored surface. A marking label indicates the ground level.

### Special operating conditions

With this type of installation, consideration must be given to the risk of condensation, dust, vibration and impacts.

All enclosures CDC and SDC have ventilation apertures between the cover plate and the door and between the door and the roof, both on the front and back of the enclosure.

The ability of the enclosure to withstand external blows and impacts has been checked by testing at  $-50^{\circ}\text{C}$  in accordance with the requirements for use in an Arctic climate in IEC 61439-5.



**To reduce the risk of condensation we recommend filling the foundation with sand, leca and/or using a damp barrier type Cxx-DB above the foundation.**

# Standards Enclosures

3

## Foundation

In the CDC range, the ground foundation is an integral part of the design. The length of the legs are individually adjustable and they can be angled out to avoid protruding building foundations. Separate foundations for ground, floor or wall mounting are available for the SDC range.

In all below-ground parts, the corrosion protection has been reinforced with a polymer coating to achieve a heavy-duty corrosion protection. To make sure that the polymer coat adheres to the hot-dip galvanized surface, it has undergone zinc/manganese phosphating. This treatment gives excellent protection against corrosion, so that the life of the enclosures is very long in the most commonly occurring environments for outdoor enclosures.

KSIK enclosures are for wall mounting indoors only.

## Frost heave and CDC

A sliding bar system in the enclosures type CDC reduces the problems that may arise in connection with frost heave.

## External fixing points

The sides of all enclosures except the indoor enclosure KSIK are fitted with rivet-nuts to attach marking poles, other enclosures, boxes, etc.

## Openings for temporary outlets

Both sides of CDC and SDC enclosures have an opening for a temporary power outlet or to make protected connections between two enclosures. The openings are fitted with a revolving seal with a choice of five openings, the largest of which is  $\varnothing$  60 mm.

Where more SDC enclosures are to be combined, special sides with openings are available.

For further information contact your supplier or us.

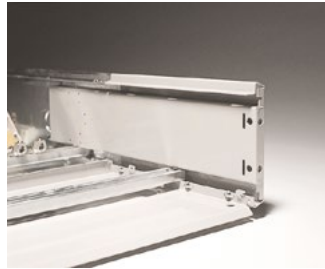
On KSIK, there are two covered flange openings, size FL 33 in each side panel.

## Marking

There is a space for marking at the top of the door of enclosures CDC. On the inside of the door there is a clip to attach a cable distribution cabinet card, etc.

## Locks

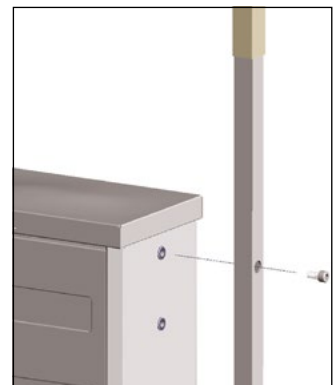
The enclosures have different locks depending on their field of application, see the page "Locks and tools".



Integrated adjustable foundation in enclosure CDC.



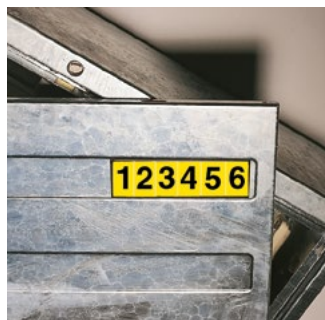
Sliding busbar counteracts damages from frost heave.



Marking pole made of strong steel and equipped with signal marking and reflective tape.



Temporary openings at both sides of the enclosures.



Space for marking at the top of the door of enclosures CDC.



Lock for enclosures.



# Standards Enclosures

## Modular system

All parts that can be connected to the busbar system have modular dimensions (one module M = 12.5 mm). This makes it easy to calculate the space required by a particular distribution board and then to choose a suitable enclosure.

## Type designation

The following list mentions some typical applications for Kabeldon IP-system:

CDC xyz (CDC = enclosure type. This may be replaced by SDC or KSIK.)

x = rated current:

0 = cabinet without busbar system

4 = busbar system with rated current 400 A

6 = busbar system with rated current 630 A

yz = number of modules available on the busbar

(20, 40, 48 etc.)

## Enclosures with upper section

As standard, the enclosure comes with a busbar system in the lower section, but with no equipment in the upper section (the meter space).

For the upper section there are meter panels, MPF 25 B or MPF 63 B, to mount the meters on.

The meter panel fixes on to a mounted fixing bar, making fitting simple and flexible. Meter panels have a width of 220 mm. The meter panels come with a suitable intermediate terminal block.

## Entries to the upper section

Between the upper and lower sections there are openings which are partly covered by a plastic plug with "breakouts". The largest opening, Ø 50 mm, can take seven 50 mm<sup>2</sup> cables.

## Locks

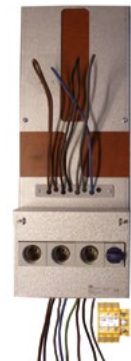
The upper section of the enclosure is fitted with a lock which takes a standard triangular-section key, so that the customer and the electricity supplier can open that section. For the lower section, see the product pages.



Module dimensioned busbar system in the cable distribution cabinet.



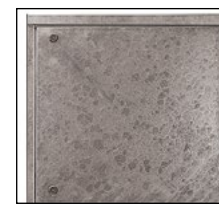
Enclosures with upper section, CDCM and SDCM.



Meter panel MPF 25 B/63 B.



Lock for the upper section of enclosures with upper section



Lock for the upper section of enclosures with upper section SDCM.

# Hot-dip galvanized enclosures

## CDC

CDC is supplied with a busbar system or with a mounting plate.

- Tested to the requirements of IEC 61439-5. Passes arctic climate tests.
- Integral foundation.
- Adjustable foundation prepared for fitting of a base plate.
- The foundation is prepared for fixing conduits when installing heating cables.
- The sides have rivet-nuts to attach a snow marking pole or an accessory cabinet.
- On the inside of the door there is a cable distribution cabinet card.
- The embossed areas on the door are compatible with most common marking systems.
- Degree of protection IP34D.



CDC 040

Designation	ID No.	Equipment included	Number of modules	Rated current	Dimensions			Weight
					Height	Width	Depth	
			M *	A	mm			kg/pcs
CDC 020	2CGX0 63300396	mounting plate	-	-	1200	350	220	36
CDC 040	2CGX0 63300397	mounting plate	-	-	1200	600	220	50
CDC 060	2CGX0 63300398	mounting plate	-	-	1200	850	220	64
CDC 420	2CGX0 63300390	busbar system	20	400	1200	350	220	34
CDC 440	2CGX0 63300391	busbar system	40	400	1200	600	220	47
CDC 460	2CGX0 63300392	busbar system	60	400	1200	850	220	59
CDC 640	2CGX0 63300394	busbar system	40	630	1200	600	220	48
CDC 660	2CGX0 63300395	busbar system	60	630	1200	850	220	60

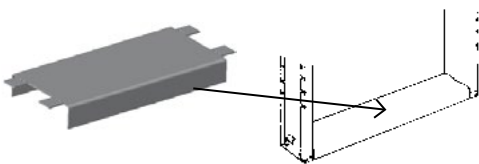
\* One module M = 12.5 mm.

The enclosure includes

Content	Enclosure with busbar system	Enclosure without busbar system
	CDC 420-660	CDC 020-060
Mounting plate	No	Yes
Busbar system	400 A, 630 A	No
PEN bar movable to three positions	400 A	No
Anchor bar adjustable to two positions	Yes	Yes
Foundation leg length individually adjustable	Yes	Yes
Outlet opening with revolving seal Ø 15-60 mm	Yes	Yes
Key shape for lock	SE	Triangular
Heavy-current warning symbol on outside of door	Yes	No

# Accessories, to be ordered separately

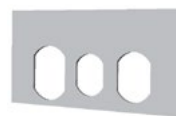
## CDC



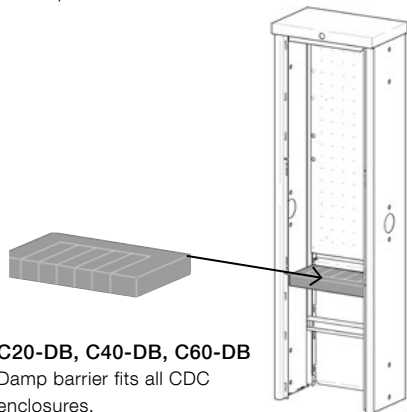
**C20-BP, C40-BP, C60-BP**  
Base plate.



**FV**  
Wall spacer.



**CDC-CLA**  
Mounting kit for cylinder lock.



**C20-DB, C40-DB, C60-DB**  
Damp barrier fits all CDC enclosures.



**TN-S system**  
Five-wire kit.



**BERG 250**  
Rock hold for cable distribution cabinets type CDC when installed in rocky ground.



**KSPS 7, KSPS 8**  
Marking pole made of strong steel and equipped with signal marking and reflective tape.

Designation	ID No.	Fits enclosure	Dimensions			Weight
			Height	Width	Depth	
			mm			kg/pcs
C 20-BP	2CGX0 53310725	CDC 20	27	344	130	0.8
C 40-BP	2CGX0 53310726	CDC 40	27	594	130	1.5
C 60-BP	2CGX0 53310727	CDC 60	27	844	130	2.2
FV	2CGX0 63190225	CDC	50	70	135	1.9
CDC-CLA	2CGX0 53310669	CDC	—	—	—	0.1
C 20-DB	2CGX0 53310696	CDC	50	350	215	0.2
C 40-DB	2CGX0 53310697	CDC	50	600	215	0.3
C 60-DB	2CGX0 53310698	CDC	50	850	215	0.4
BERG 250	2CGX0 63300649	CDC	370	130	30	1.9
KSPS 7	2CGX0 63190146	CDC	1500	30	30	3.8
KSPS 8	2CGX0 63190147	CDC	1650	30	30	3,3

### TN-S system

Designation	ID No.	Fits enclosure	Number of modules	Rated current	Length	Weight
			M *	A	mm	kg/pcs
C 20-TNS	2CGX0 53310613	CDC 20	20	400	333	0.6
C 40-TNS	2CGX0 53310614	CDC 40	40	400	583	0.7
C 60-TNS	2CGX0 53310615	CDC 60	60	400	833	0.9

\* One module M = 12.5 mm.

# Hot-dip galvanized enclosures

## SDC

SDC is supplied with or without a busbar system. The SDC range is suitable for electrical distribution boards such as general distributions boards, power distribution boards in industry, construction site distributions boards or for temporary power distribution.

3

The distribution boards are built to customer requirements, with direct metering or current transformer metering.

- Tested to the requirements of IEC 61439-5. Passes arctic climate tests.
- Side-hung doors, opening angle >180°.
- The sides have rivet-nuts to attach a snow marking pole or an accessory cabinet.
- The depth, 312 mm, allows installation of all switching devices with independent manual operation.
- The LD version is available with a depth of 242 mm.
- Degree of protection IP34D.



SDC 073

Busbar systems for 1000 A–1600 A on request.

### Note:

- For quick, simple planning, download your copy of the free Connect IT program.
- Many different configurations of the SDC range can be ordered. Please contact your supplier for further information.
- Busbar system for 1600 A on request.

Designation	ID No.	Equipment included	Number of modules	Rated current	Dimensions			Weight
					Height	Width	Depth	
			M *	A	mm			kg/pcs
SDC 048	2CGX0 63300433	–	–	–	895	682	312	46
SDC 073	2CGX0 63300551	–	–	–	895	996	312	58
SDC 098	2CGX0 63300437	–	–	–	895	1310	312	70
SDC 448	2CGX0 63300431	busbar system	48	400	895	682	312	48
SDC 473	2CGX0 63300552	busbar system	73	400	895	996	312	60
SDC 648	2CGX0 63300432	busbar system	48	630	895	682	312	49
SDC 673	2CGX0 63300553	busbar system	73	630	895	996	312	62
SDC 698	2CGX0 63300434	busbar system	98	630	895	1310	312	75
SDC 1048	2CGX0 63300458	busbar system	48	1000	895	682	312	50
SDC 1073	2CGX0 63300554	busbar system	73	1000	895	996	312	63
SDC 1098	2CGX0 63300459	busbar system	98	1000	895	1310	312	76
SDC 673 LD	2CGX0 63300635	busbar system	73	630	895	996	242	59
SDC 698 LD	2CGX0 63300571	busbar system	98	630	895	1310	242	73

\* One module M = 12.5 mm.

### The enclosure includes

Content	Enclosure with busbar system		Enclosure without busbar system
	SDC 448-698	SDC 673-698 LD	SDC 048-098
Mounting plate	No	No	No
Busbar system	400 A, 630 A		No
PEN bar	400 A		No
Foundation	No (order separately)		No (order separately)
Outlet opening with revolving seal Ø 15-60 mm	Yes		Yes
Key shape for lock, SDC 448-698	Triangular		Triangular
Key shape for lock, SDC 673-698 LD	SE (EBR)		–
Heavy-current warning symbol on outside of door	Yes		No

# Accessories, to be ordered separately

## SDC



**GOLV-S 48-98**  
Floor foundation.



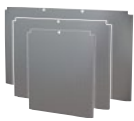
**BPF-S 48-98**  
Base plate.



**SLUS 48-98**  
Lower door with outlet opening.



**MARK-S 48-98**  
**MARK-S 73-98 LD**  
Ground foundation.



**KSMP-S 48-98**  
Mounting plate.



**VF 100**  
Wall spacer.



**VF-S 30**  
Wall bracket.



**TN-S system**  
Five-wire kit.



**KSPS 7, KSPS 8**  
Marking pole made of strong steel and equipped with signal marking and reflective tape.

Designation	ID No.	Fits enclosure	Dimensions			Weight
			Height	Width	Depth	
			mm			kg/pcs
GOLV-S 48	2CGX0 63300441	SDC 48	400	672	303	23
GOLV-S 73	2CGX0 63300550	SDC 73	400	986	303	30
GOLV-S 98	2CGX0 63300442	SDC 98	400	1300	303	36
BPF-S 48	2CGX0 53310629	SDC 48	30	672	282	4
BPF-S 73	2CGX0 53310682	SDC 73	30	986	282	5
BPF-S 98	2CGX0 53310630	SDC 98	30	1300	282	6
SLUS 48	2CGX0 53310666	SDC 48	288	626	22	5
SLUS 73	2CGX0 53310684	SDC 73	288	940	22	7.5
SLUS 98	2CGX0 53310668	SDC 98	288	1254	22	10
KSMP-S 48	2CGX0 53190332	SDC	780	660	21	5.0
KSMP-S 73	2CGX0 53190335	SDC	780	974	21	8.0
KSMP-S 98	2CGX0 53190333	SDC	780	1268	21	11.0
MARK-S 48	2CGX0 63300439	SDC	940	672	303	30
MARK-S 73	2CGX0 63300549	SDC	940	986	303	36
MARK-S 73 LD	2CGX0 63300636	SDC 73 LD	940	986	233	34
MARK-S 98	2CGX0 63300440	SDC 98	940	1300	303	42
MARK-S 98 LD	2CGX0 63300572	SDC 98 LD	940	1300	233	40
VF 100	2CGX0 53310678	SDC	40	228	35	0.2
VF-S 30	2CGX0 53310643	SDC	500	40	40	0.5
KSPS 7	2CGX0 63190146	SDC	1120	30	30	2.0
KSPS 8	2CGX0 63190147	SDC	1650	30	30	3.3

### TN-S system

Designation	ID No.	Fits enclosure	Number of modules	Rated current	Length	Weight
			M *	A	mm	kg/pcs
SD 48-TNS	2CGX0 53320208	SDC 48	48	400	584	0.9
SD 73-TNS	2CGX0 53320219	SDC 73	73	400	898	1.0
SD 98-TNS	2CGX0 53320209	SDC 98	98	400	1212	1.2

\* One module M = 12.5 mm.

# Powder coated enclosures for indoor use

## KSIIK

KSIIK enclosures are designed for indoor use, environment classes C<sub>1</sub> and C<sub>2</sub>\*. An enclosure with a high degree of protection, well suited for installations in industry and in buildings.

3

The enclosure is developed for distribution boards and therefore has special openings in its sides to allow busbar systems to pass through where more than one enclosure is combined.

- Supplied complete with wall brackets and mounting plate.
- Powder coated.
- Side-hung doors.
- Removable mounting plate.
- Split base plate.
- Degree of protection IP34D.



KSIIK 048

### Note:

Busbar systems for 400 A-1600 A on request.

\* To ISO 12944-2

C<sub>1</sub>: Heated, dry room

C<sub>2</sub>: Small amounts of humidity may occur.

Designation	ID No.	Qty flange openings FL 21 in the base plate	Number of modules	Dimensions			Weight
				Height	Width	Depth	
			M *	mm			kg/pcs
KSIIK 043	2CGX0 63300411	4	43	900	655	325	42
KSIIK 063	2CGX0 63300412	6	63	900	895	325	57
KSIIK 098	2CGX0 63300413	10	98	900	1350	325	75

\* One module M = 12.5 mm.

### The enclosure includes

Content	Enclosure KSIIK
Mounting plate	Yes
Key shape for lock	DIN 3
Two covered flange openings, size FL 33 in each side panel.	Yes
Base plate with FL 21 flange openings	Yes
Split base plate	Yes
Busbar system	On request

# Accessories

## To be ordered separately for KSIK



**KD xx-TNS**  
Five-wire kit.



**KSFS 400 A-1600 A**  
Busbar system.

### TN-S system

Designation	ID No.	Number of modules	Rated current	Length	Weight
		M *	A	mm	kg/pcs
KD 43-TNS	2CGX0 53320210	43	400	570	0.6
KD 63-TNS	2CGX0 53320211	63	400	810	0.7
KD 98-TNS	2CGX0 53320212	98	400	1270	1.0

\* One module M = 12.5 mm.

### Phase busbar

Designation	ID No.	Number of modules	Rated current	Suitable busbar support			Length	Weight
				KSST 36	KSST 316	KSST 316/23		
		M *	A		KSST 316/100	mm	kg/m	
KSFS 443	2CGX0 43320037	43	400	x	x	569	0.6	
KSFS 448	2CGX0 43320258	48	400	x	x	636	0.6	
KSFS 463	2CGX0 43320038	63	400	x	x	809	0.6	
KSFS 643 A	2CGX0 43320367	43	630	x	x	569	0.9	
KSFS 663 A	2CGX0 43320368	63	630	x	x	809	0.9	
KSFS 698 A	2CGX0 43320366	98	630	x	x	1264	0.9	
KSFS 1098	2CGX0 43320156	98	1000	–	x	1264	1.6	
KSFS 1698	2CGX0 43320158	98	1600	–	x	1264	3.0	

\* One module M = 12.5 mm.

# Hot-dip galvanized enclosures with upper section CDCM

The CDCM cabinets are the same as CDC but are fitted with an upper section which can be locked separately. CDCM 020 and CDCM 040 comes with a mounting plate instead of a busbar system in the lower section.

3

The CDCM range is suitable for construction of electrical distribution boards such as general distribution boards, power distribution boards in industry, construction site distribution boards etc where there is a need to integrate the equipment with kWh metering. The distribution boards are built to customer requirements, with direct metering or current transformer metering.

- Tested to the requirements of IEC 61439-5. Passes arctic climate tests.
- Integrated foundation.
- The sides have river-nuts to attach a snow marking pole or an accessory cabinet.
- On the inside of the door there is a holder for a cable distribution cabinet card.
- The embossed areas on the door are compatible with most common marking systems.
- The upper section is fitted with a fixing bar for meter panel MPF 25 B/MPF 63 B or with mounting plate MPP 20.
- Removable mounting plate.
- Split base plate.
- Degree of protection IP34D.



CDCM 020

CDCM 040

**Note:**

- For quick, simple planning, download your copy of the free Connect IT program.

Designation	ID No.	Equipment included	Space for Meter panels MPF 25/MPF 63	Number of modules	Rated current	Dimensions			Weight
						Height	Width	Depth	
				M *	A	mm			kg/pcs
CDCM 020	2CGX0 63300530	Mounting plate	1	-	-	1800	350	220	49
CDCM 040	2CGX0 63300608	Mounting plate	2	-	-	1800	600	220	68
CDCM 420	2CGX0 63300430	Busbar system	1	20	400	1800	350	220	47
CDCM 440	2CGX0 63300609	Busbar system	2	40	400	1800	600	220	65
CDCM 640	2CGX0 63300610	Busbar system	2	40	630	1800	600	220	66

\* One module M = 12.5 mm.

**The enclosure includes**

Content	Enclosure with busbar system	Enclosure without busbar system
	CDC 420-640	CDC 020-040
Mounting plate, lower section	No	Yes
Busbar system	400 A, 630 A	No
PEN bar movable to three positions	400 A	No
Anchor bar adjustable to two positions	Yes	Yes
Foundation leg length individually adjustable	Yes	Yes
Outlet opening with revolving seal Ø 15-60 mm	Yes	Yes
50 mm diameter openings between the sections fitted with plastic covers	Yes	Yes
Key shape for lock, lower/upper section	SE/subscriber	SE/subscriber
Heavy-current warning symbol on outside of door	Yes	No



# Accessories

## To be ordered separately for CDCM



**C20-BP, C40-BP, C60-BP**  
Floor foundation.



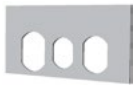
**MPP 20, MPT 40**  
Mounting plate.



**MPF 25 B/MPF 63 B**  
Meter panel.



**KSPS 7, KSPS 8**  
Marking pole made of strong steel and equipped with signal marking and reflective tape.



**CDC-CLA**  
Mounting kit for cylinder lock.



**FV**  
Wall spacer.



**BERG 250**  
Rock hold for cable distribution cabinets type CDC when installed in rocky ground.



**TN-S system**  
Five-wire kit.

Designation	ID No.	Fits enclosure	Number of modules	Dimensions			Weight
				Height	Width	Depth	
			M *	mm			kg/pcs
C 20-BP	2CGX0 53310725	CDCM 20	–	27	344	130	0.8
C 40-BP	2CGX0 53310726	CDCM 40	–	27	594	130	1.5
C 60-BP	2CGX0 53310727	CDCM 60	–	27	844	130	2.2
MPP 20	2CGX0 53310665	CDCM 20	–	540	268	25	2.0
MPT 40	2CGX0 53310724	CDCM 40	–	550	550	12	1.9
MPF 25 B	2CGX0 53310737	CDCM	25	570	220	115	5.0
MPF 63 B	2CGX0 53310738	CDCM	63	570	220	115	5.0
CDC-CLA	2CGX0 53310669	CDCM	–	–	–	–	0.1
FV	2CGX0 63190225	CDCM	–	50	70	135	1.9
BERG 250	2CGX0 63300649	CDCM	–	370	130	30	1.9
KSPS 8	2CGX0 63190147	CDC SDC	–	1650	30	30	3.3

\* One module M = 12.5 mm.

### TN-S system

Designation	ID No.	Fits enclosure	Number of modules	Length	Weight
				M *	mm
C 20-TNS	2CGX0 53310613	CDCM 20	20	333	0.6
C 40-TNS	2CGX0 53310614	CDCM 40	40	583	0.7
C 60-TNS	2CGX0 53310615	CDCM 60	60	833	0.9

\* One module M = 12.5 mm.

# Hot-dip galvanized enclosures with upper section SDCM

The SDCM cabinets are the same as SDC but are fitted with an upper section which can be locked separately. The upper section can be used to house kWh meters or fitted with a mounting plate for various purposes.

3

The SDCM range is suitable for the construction of electrical distribution boards such as general distribution boards, power distribution boards in industry, construction site distribution boards etc., where there is a need to integrate the equipment with kWh metering.

- Tested to the requirements of IEC 61439-5. Passes arctic climate tests.
- Side-hung doors, opening angle >180°.
- The sides have rivet-nuts to attach a snow marking pole or an accessory cabinet.
- The depth allows installation of all switching devices with independent manual operation.
- Degree of protection IP34D.

#### Note:

- For quick, simple planning, download your copy of the free Connect IT program.
- Many different configurations of the SDC range can be ordered. Please contact your supplier for further information.



SDCM 048

Busbar systems for 1000 A–1600 A on request.

Designation	ID No.	Equipment included	Space for Qty Meter panels MPF 25/MPF 63	Number of modules	Rated current	Dimensions			Weight
						Height	Width	Depth	
				M *	A	mm			kg/pcs
SDCM 048	2CGX0 63300443	-	3	-	-	1523	682	312	72
SDCM 073	2CGX0 63300561	-	4	-	-	1523	996	312	92
SDCM 098	2CGX0 63300444	-	5	-	-	1523	1310	312	111
SDCM 448	2CGX0 63300435	Busbar system	3	48	400	1523	682	312	74
SDCM 473	2CGX0 63300562	Busbar system	4	73	400	1523	996	312	94
SDCM 648	2CGX0 63300436	Busbar system	3	48	630	1523	682	312	75
SDCM 673	2CGX0 63300563	Busbar system	4	73	630	1523	996	312	96
SDCM 698	2CGX0 63300438	Busbar system	5	98	630	1523	1310	312	116

\* One module M = 12.5 mm.

#### The enclosure includes

Content	Enclosure with busbar system	Enclosure without busbar system
	SDCM 448-698	SDCM 048-098
Mounting plate, lower section	No	No (order separately)
Busbar system	400 A, 630 A	No
PEN bar	400 A	No
Foundation	No (order separately)	No (order separately)
Outlet opening with revolving seal Ø 15-60 mm	Yes	Yes
50 mm diameter openings between the sections fitted with plastic covers	Yes	Yes
Key shape for lock, lower/upper section	Triangular/subscriber	Triangular/subscriber
Heavy-current warning symbol on outside of the door	Yes	No

# Accessories

## To be ordered separately for SDCM



**GOLV-S 48-98**  
Floor foundation.



**BPF-S 48-98**  
Base plate.



**SLUS 48-98**  
Lower door with outlet opening.



**MARK-S 48-98**  
Ground foundation.



**MPP-S 48-73, KSMP-S 48-98, MPT-S 48-73**  
Mounting plate.



**VF 100**  
Wall spacer.



**VF-S 30**  
Wall bracket.



**MPF 25 B /63 B**  
Meter panel.



**TN-S system**  
Five-wire kit.

Designation	ID No.	Fits enclosure	Number of modules	Dimensions			Weight
				Height	Width	Depth	
				M *	mm		kg/pcs
GOLV-S 48	2CGX0 63300441	SDCM 48	48	400	672	303	23
GOLV-S 73	2CGX0 63300550	SDCM 73	73	400	986	303	30
GOLV-S 98	2CGX0 63300442	SDCM 98	98	400	1300	303	36
BPF-S 48	2CGX0 53310629	SDCM 48	48	30	672	282	4
BPF-S 73	2CGX0 53310682	SDCM 73	73	30	986	282	5
BPF-S 98	2CGX0 53310630	SDCM 98	98	30	1300	282	6
SLUS 48	2CGX0 53310666	SDCM 48	48	288	626	22	5
SLUS 73	2CGX0 53310684	SDCM 73	73	288	940	22	7.5
SLUS 98	2CGX0 53310668	SDCM 98	98	288	1254	22	10
MARK-S 48	2CGX0 63300439	SDCM 48	48	940	672	303	30
MARK-S 73	2CGX0 63300549	SDCM 73	73	940	986	303	36
MARK-S 98	2CGX0 63300440	SDCM 98	98	940	1300	303	42
MPP-S 48	2CGX0 53190334	SDCM 48	48	580	585	25	3.0
MPP-S 73	2CGX0 53310735	SDCM 73	73	580	856	25	7.0
KSMP-S 48	2CGX0 53190332	SDCM 48	48	780	660	21	5.0
KSMP-S 73	2CGX0 53190335	SDCM 73	73	780	974	21	8.0
KSMP-S 98	2CGX0 53190333	SDCM 98	98	780	1268	21	11.0
MPT-S 48	2CGX0 53310647	SDCM 48	48	580	600	12	2.2
MPT-S 73	2CGX0 53310688	SDCM 73	73	580	890	12	3.3
VF 100	2CGX0 53310678	SDCM	-	40	228	35	0.2
VF-S 30	2CGX0 53310643	SDCM	-	500	40	40	0.5
MPF 25 B	2CGX0 53310737	SDCM	25	570	220	115	5.0
MPF 63 B	2CGX0 53310738	SDCM	63	570	220	115	5.0
KSPS 8	2CGX0 63190147	CDC SDC	-	1650	30	30	3.3

\* One module M = 12.5 mm.

### TN-S system

Designation	ID No.	Fits enclosure	Number of modules	rated current	Length	Weight
				A	mm	kg/pcs
SD 48-TNS	2CGX0 53320208	SDC 48	48	400	584	0.9
SD 73-TNS	2CGX0 53320219	SDC 73	73	400	898	1.0
SD 98-TNS	2CGX0 53320209	SDC 98	98	400	1212	1.2

\* One module M = 12.5 mm.

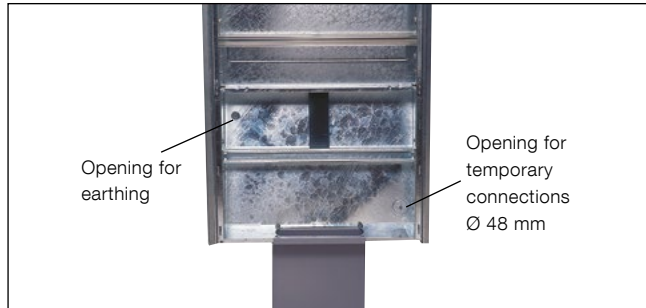
# Pole-mounted cable distribution cabinets

## CDCP

Hot-dip galvanized pole-mounted cable distribution cabinets are supplied with integral pole bracket, busbar system or mounting plate and as well as a cable duct to the ground.

3

- On the back there is an opening for an earthing line and an opening for temporary connections.
- Breakouts for up to seven cable channels.
- Degree of protection IP34D.



A cable duct to the ground is supplied with the cabinet.



Breakouts for cable channels on the back of the pole-mounted cabinet.

Designation	ID No.	Equipment included	Number of modules	Rated current	Number of cable ducts	Dimensions			Weight
						Height	Width	Depth	
						M *	A	mm	kg/pcs
CDCP 020	2CGX0 63300621	Mounting plate	20	-	0 - 3	1200	350	382	45
CDCP 040	2CGX0 63300622	Mounting plate	40	-	0 - 7	1200	600	382	61
CDCP 420	2CGX0 63300428	Busbar system	20	400	0 - 3	1200	350	382	43
CDCP 440	2CGX0 63300429	Busbar system	40	400	0 - 7	1200	600	382	58

\* One module M = 12.5 mm.

### The enclosure includes

Content	Enclosure with busbar system	Enclosure without busbar system
	CDCP 420, 440	CDCP 020, 040
Cable duct to the ground	Yes	Yes
Busbar system	400 A	No
PEN bar	400 A	No
Anchor bar	Yes	Yes
Key shape for lock	SE	Triangular
Heavy-current warning symbol on outside of door	Yes	No

# Accessories

## To be ordered separately for CDCP



### KKCS

Joining piece for cable channel made of non-corrosive and non-magnetic material.



### KHB 3

Holder for 1 to 3 cable channels.



### KHB 5

Holder for 3 to 5 cable channels.



### KHB 7

Holder for 5 to 7 cable channels.



### KKS

Extra support for cable channel.



### CDCP-TP

Base plate for sealing the opening at the bottom.



### KKC 5

Cable channel 2 x 2.4 m with joining piece KKCS.

Designation	ID No.	Number per kit	Dimensions			Weight
			Height	Width	Depth	kg/pcs
			mm			
KKCS	2CGX0 53190244	1	100	57	61	0.2
KHB 3	2CGX0 63190245	1	105	184	250	0.3
KHB 5	2CGX0 63190246	1	105	294	250	0.4
KHB 7	2CGX0 63190279	1	105	404	250	0.6
KKS	2CGX0 63190286	1	30	250	190	0.4
CDCP-TP	2CGX0 53310728	1	16	260	191	0.6
KKC 5	2CGX0 53190243	1 kit	2400	55	55	3.2

# Hot-dip galvanized accessory cabinet CDCA

## CDCA

Accessory cabinet for mounting on another enclosure.  
The cabinet comes with a mounting plate.

- There are outlet openings in the sides. The opening on the right-hand side has a revolving seal with a choice of five openings. The seal can be moved to the left-hand side.
- The bottom of the cabinet has an opening with integral strain relief for temporarily connected cables. When not in use, the opening is blanked off with the cover supplied.
- Inserts for temporary power outlets KSMU 16/32/63 can be installed in the cabinet, as well as meter panel MPF 25 B/MPF 63 B. Where meter panel MPF 25 B/MPF 63 B is installed, upgrade kit CKM is required.

3



Accessory cabinet CDCA.



KSMUB used in CDCA.



CDCA mounted on the right side of CDC 420.



The openings on the sides of the cabinet is used for temporary power outlets, etc.

Designation	ID No.	Dimensions			Weight
		Height	Width	Depth	
CDCA	2CGX0 63300451	730	280	218	kg/pcs 14,5

## Accessory cabinet includes

Content	Accessory cabinet CDCA
Mounting plate	Yes
Outlet opening with revolving seal Ø 15-60 mm	Yes
Opening at the bottom with integral strain relief for temporarily connected cables	Yes
Lock	Triangular, CDC-LT

# Accessories, to be ordered separately

## CDCA, CDCA-BV



**KSMUB 16/32**  
1x16 + 2x10 A or 1x32 + 2x10A with residual current device, miniature circuit-breaker and space for a kWh meter. Strength of short circuit 6 kA in combination with equipment max 63 A.



**MPF 25 B/MPF 63 B**  
Meter panel for 25 A or 63 A.



**CKM**  
Upgrading kit for installing meter panel MPF 25/63 B in accessory cabinet CDCA or in low-profile meter cable enclosures.



**KSM 017**  
Mounting plate.



**KSM 417**  
Mounting plate with busbar system 400 A.



**KSFL 17**  
5-wire system for KSM 417.



**CDCA-CD**  
Cable protection duct for fibre optic cables, for example (in CDCA).  
 - Max cable diameter 25 mm inside cabinet.  
 - Max. diameter for optical fibre pipes is 45 mm.  
 - Degree of protection IP34D.

Designation	ID No.	Cable connection	Outlet	Dimensions			Weight
				Height	Width	Depth	
		mm <sup>2</sup>		mm			kg/pcs
KSMUB 16	2CGX0 63300611	6	1x16 A + 2x10 A	711	222	191	5.5
KSMUB 32	2CGX0 63300612	6	1x32 A + 2x10 A	711	222	191	5.5
MPF 25 B	2CGX0 53310737	-	-	570	220	115	5.0
MPF 63 B	2CGX0 53310738	-	-	570	220	115	5.0
CKM	2CGX0 53390034	-	-	-	-	-	0.02
KSM 017	2CGX0 53310397	-	-	670	218	50	1.2
KSM 417	2CGX0 53310383	-	-	670	218	50	2.3
KSFL 17	2CGX0 53320115	-	-	21 x 5 x 3			0.4
CDCA-CD	2CGX0 53310705	-	-	380	240	66	2.3

# Hot-dip galvanized accessory cabinet CDCA-BV

Accessory cabinet for example mounting to contact line post.

- Empty enclosure with bracket for mounting plate KSM 417 or KSM 017
- The gables are provided with flange opening FL13
- Flange opening FL 21 at the bottom.
- Triangular lock.
- The cabinet can be equipped with a busbar system type KSM 417.
- Inserts for temporary power outlets KSMUB 16/32 can be installed in the cabinet, as well as meter panel MPF 25 B/MPF 63 B. Where meter panel MPF 25 B/MPF 63 B is installed, upgrade kit CKM is required.
- Four angular fixing brackets for mounting to the place are included.



CDCA-BV with openings in the bottom and both sides.

Designation	ID No.	Dimensions			Weight
		Height	Width	Depth	
		mm			kg/pcs
CDCA-BV	2CGX0 63300576	730	280	218	13

Accessory cabinet includes

Content	Accessory cabinet CDCA-BV
Mounting plate	No
Angle clamp	4
Opening in bottem	FL 21
Opening in gable	FL 13
Lock	Triangular, CDC-LT



# Accessories, to be ordered separately CDCA and CDCA-BV



**KSMUB 16/32**  
1x16 + 2x10 A or 1x32 + 2x10A with residual current device, miniature circuit-breaker and space for a kWh meter. Strength of short circuit 6 kA in combination with equipment max 63 A.



**MPF 25 B/MPF 63 B**  
Meter panel for 25 A or 63 A.



**CKM**  
Upgrade kit for installing meter panel MPF 25/63 B in accessory cabinet CDCA or in low-profile meter cable enclosures.



**KSM 017**  
Mounting plate.



**KSM 417**  
Mounting plate with busbar system 400 A.



**KSFL 17**  
5-wire system for KSM 417.

Designation	ID No.	Cable connection mm <sup>2</sup>	Outlet	Dimensions			Weight kg/pcs
				Height	Width	Depth	
				mm			
KSMUB 16	2CGX0 63300611	6	1x16 A + 2x10 A	711	222	191	5.5
KSMUB 32	2CGX0 63300612	6	1x32 A + 2x10 A	711	222	191	5.5
MPF 25 B	2CGX0 53310737	–	–	570	220	115	5.0
MPF 63 B	2CGX0 53310738	–	–	570	220	115	5.0
CKM	2CGX0 53390034	–	–	–	–	–	0.02
KSM 017	2CGX0 53310397	–	–	670	218	50	1.2
KSM 417	2CGX0 53310383	–	–	670	218	50	2.3
KSFL 17	2CGX0 53320115	–	–	21 x 5 x 3			0.4

# Hot-dip galvanized enclosures

## Telecommunications and fibre-optic cables

Hot-dip galvanized enclosures for outdoor applications or in environments where long life and durability are essential.

- Tested to the requirements of IEC 61439-5. Passes arctic climate tests.
- Integral foundation (CDC).
- The sides have rivet-nuts to mark it as an obstacle or for an accessory cabinet.
- On the inside of the door there is a holder for a cable distribution cabinet card. The outside is compatible with the most common marking systems.
- Degree of protection IP34D.

**Note:**

Under an agreement with the telecoms sector, enclosures for telecommunications must not be fitted with a triangular lock. Order these enclosures with CDC-LTC or SDC-LTC.



Enclosure with cable coiler for fibre-optic cable.



A cable distribution cabinet for electric power combined with an enclosure including a fiberduct module.

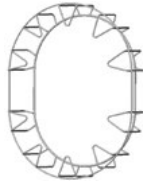
Designation	ID No.	Mounting plate		Dimensions Installations depth	Locks	Weight
		Height	Width			
		mm		mm		kg/pcs
CDC 020	2CGX0 63300396	700	300	198	Triangular	36
CDC 040	2CGX0 63300397	700	550	198	Triangular	50
CDC 060	2CGX0 63300398	700	800	198	Triangular	64
SDC 048	2CGX0 63300433	770	584	275	Triangular	46
SDC 073	2CGX0 63300551	770	898	275	Triangular	58

# Accessories

To be ordered separately for telecom enclosures



**CC 20**  
Cable coiler for about 25 metres of 13 mm OD cable.



**CC 30**  
Cable coiler for about 30 metres of 16 mm OD cable.



**EB 435**  
Earth block for 4 mm<sup>2</sup> or 35 mm<sup>2</sup>.



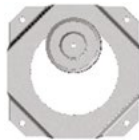
**KSMP-S 48/73**  
Steel mounting plate for SDC. Perforated with 38 mm hole pitch (Ø 3.5 mm).



**BK-E**  
Bracket for fibre-optic cable junction box from Ericsson.



**BK-N**  
Bracket for fibre-optic cable junction box from Nexans.



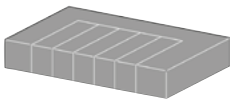
**BK-T**  
Bracket for fibre-optic cable junction box from Tykoflex.



**FDM-K**  
Mounting kit developed for mounting fibre duct module FDM (Ericsson Ribbonet) on Kabeldon IP-system.



**FDM**  
The fibre duct module is used when jointing ducts for optical fibre.



**C20-DB C40-DB, C60-DB**  
Damp barrier fits all enclosures type CDC.



**CDC-LTC**  
Lock for CDC enclosures with telecom equipment.



**SDC-LTC**  
Lock for SDC enclosures with telecom equipment.



**NK-TC**  
Key to lock CDC-LTC and SDC-LTC.



**BERG 250**  
Rock hold for cable distribution cabinets type CDC when installed in rocky ground.

Designation	ID No.	Fits enclosure	Dimensions			Weight
			Height	Width	Depth	
			mm			kg/pcs
CC 20	2CGX0 53310695	CDC/SDC	415	215	153	0.6
CC 30	2CGX0 53310689	CDC/SDC	740	550	155	2.5
EB 435	2CGX0 43311031	CDC/SDC	135	35	35	0.1
KSMP-S 48	2CGX0 53190332	SDC	770	584	19	5.0
KSMP-S 73	2CGX0 53190335	SDC	770	898	19	8.0
BK-E	2CGX0 53310691	CDC/SDC	167	167	10	0.4
BK-N	2CGX0 53310694	CDC/SDC	295	198	10	0.6
BK-T	2CGX0 53310690	CDC/SDC	225	160	10	0.3
FDM-K	2CGX0 53310704	CDC/SDC	-	-	-	0.1
FDM	2CMA131600R1000	CDC/SDC	506	135	93	1.0
C20-DB	2CGX0 53310696	CDC	50	350	215	0.2
C40-DB	2CGX0 53310697	CDC	50	600	215	0.3
C60-DB	2CGX0 53310698	CDC	50	850	215	0.4
CDC-LTC	2CGX0 43311040	CDC	-	-	-	0.1
SDC-LTC	2CGX0 43310599	SDC	-	-	-	0.1
NK-TC	2CGX0 63190373	CDC/SDC	113	30	26	0.1
BERG 250	2CGX0 63300649	CDC	370	130	30	1.9

# Accessories for Enclosures

3



**C20-BP, C40-BP, C60-BP**  
Sheet steel foundation base plate for CDC/CDCM.



**BERG 250**  
Rock hold for cable distribution cabinets type CDC when installed in rocky ground.



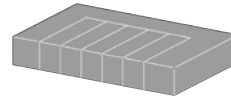
**FDM-K**  
Mounting kit developed for mounting fibre duct module FDM (Ericsson Ribbonet) on Kabeldon IP-system.



**FV**  
Wall bracket for enclosures CDC/CDCM.



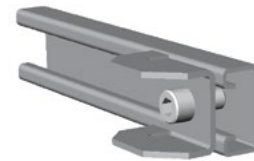
**FDM**  
Fibre duct module is used for jointing fibre optic ducts. The duct in the service cable is jointed to a multi-duct cable.



**C20-DB, C40-DB, C60-DB**  
Damp barrier, fits all CDC enclosures.



**VF 100**  
Wall bracket for enclosures CDC and SDC. Keeps the CDC cabinet 100 mm away from the wall of the building. For SDC, the distance from the wall is 8 mm.



**C60-XA**  
Extra anchor bar which can be installed under the cover plate in CDC 60. It is used when replacing enclosure where the cable must be jointed.



**KSPS 7, KSPS 8**  
Marking pole made of strong steel and equipped with signal marking and reflective tape.

Designation	ID No.	Suitable for	Dimensions			Weight
			Height	Width	Depth	
			mm			kg/pcs
C 20-BP	2CGX0 53310725	CDC/CDCM 20	27	344	130	0.8
C 40-BP	2CGX0 53310726	CDC/CDCM 40	27	594	130	1.5
C 60-BP	2CGX0 53310727	CDC 60	27	844	130	2.2
BERG 250	2CGX0 63300649	CDC/CDCM	370	130	30	1.9
FDM-K	2CGX0 53310704	CDC/SDC	–	–	–	0.1
FV	2CGX0 63190225	CDC/CDCM	50	70	135	1.9
FDM	2CMA131600R1000	CDC/SDC	506	135	93	1.0
C20-DB	2CGX0 53310696	CDC	50	350	215	0.2
C40-DB	2CGX0 53310697	CDC	50	600	215	0.3
C60-DB	2CGX0 53310698	CDC	50	850	215	0.4
VF 100	2CGX0 53310678	CDC/SDC	40	228	35	0.2
KSPS 7	2CGX0 63190146	CDC/SDC	1115	30	30	2.0
KSPS 8	2CGX0 63190147	CDC/SDC	1650	30	30	3,3
C60-XA	2CGX0 53310667	CDC 60	42	935	50	1.7

# Accessories for enclosures SDC and SDCM



## SLUS 48-98

Door with outlet opening at the bottom for temporary connections. The outlet opening measures 60 mm x 240 mm.



## GOLV-S 48-98

Complete foundation when the enclosure is installed on a floor.



## BPF-S 48-98

Base plate with 4, 6 or 10 FL 21 flange openings.



## MARK-S 48-98 MARK-S 73-98 LD

Complete foundation when the enclosure is installed in the ground.



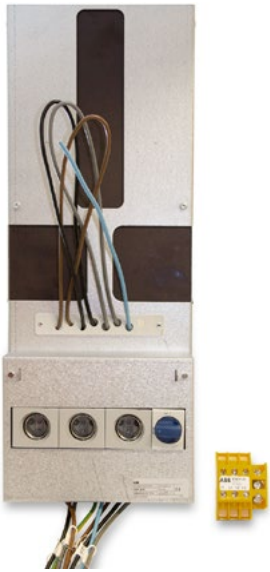
## VF-S 30

Wall bracket. Two required per cabinet. Gives 30 mm free space behind the cabinet.

Designation	ID No.	Fits enclosure	Dimensions			Weight
			Height	Width	Depth	kg/pcs
			mm			
SLUS 48	2CGX0 53310666	SDC/SDCM 48	288	626	22	5
SLUS 73	2CGX0 53310684	SDC/SDCM 73	288	940	22	7.5
SLUS 98	2CGX0 53310668	SDC/SDCM 98	288	1254	22	10.0
MARK-S 48	2CGX0 63300439	SDC/SDCM 48	940	672	303	30
GOLV-S 48	2CGX0 63300441	SDC/SDCM 48	400	672	303	23
GOLV-S 73	2CGX0 63300550	SDC/SDCM 73	400	986	303	30
GOLV-S 98	2CGX0 63300442	SDC/SDCM 98	400	1300	303	36
BPF-S 48	2CGX0 53310629	SDC/SDCM 48	30	672	282	4
BPF-S 73	2CGX0 53310682	SDC/SDCM 73	30	986	282	5
BPF-S 98	2CGX0 53310630	SDC/SDCM 98	30	1300	282	6
MARK-S 73	2CGX0 63300549	SDC/SDCM 73	940	986	303	36
MARK-S 73 LD	2CGX0 63300636	SDC 73 LD	940	986	233	34
MARK-S 98	2CGX0 63300440	SDC/SDCM 98	940	1300	303	42
MARK-S 98 LD	2CGX0 63300572	SDC 98 LD	940	1300	233	40
VF-S 30	2CGX0 53310643	SDC/SDCM	500	40	40	0.5

# Accessories for kWh metering

3



**MPF 25/63 B**  
Meter panel with terminal block.



**CKM**  
Upgrade kit for installing meter panel MPF 25/63 B in accessory cabinet CDCA or in low-profile meter cable enclosures.



**PBKP 25/50**  
Seal cover for KSKP 25/50.

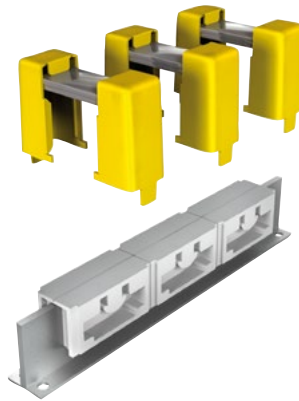
Designation	ID No.	Description	Rated current	Number of modules	Dimensions			Weight
			A	M *	Height	Width	Depth	kg/pcs
					mm			
MPF 25 B	2CGX0 53310737	Meter panel including terminal block KSKP 25	25	17	570	220	115	5.0
MPF 63 B	2CGX0 53310738	Meter panel including terminal block KSKP 50	63	17	570	220	115	5.0
CKM	2CGX0 53390034	Upgrade kit	–	–	–	–	–	0.02
PBKP 25	2CGX0 53050141	Seal cover	–	6	–	80	–	0.1
PBKP 50	2CGX0 53050142	Seal cover	–	7	–	96	–	0.1

\* One module M = 12.5 mm.

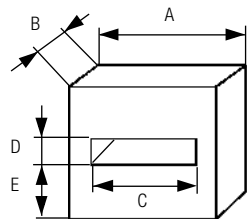
# Accessories for kWh metering



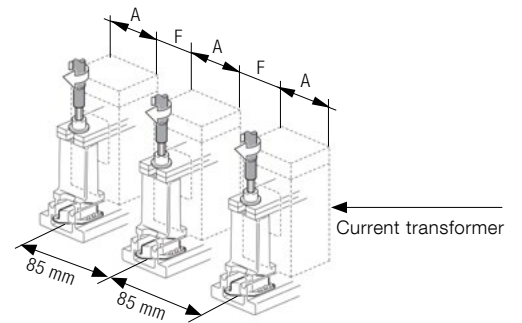
**TRAFO-CD 630, TRAFO-SD 630/1200**  
Complete kits for current transformer metering. To be used for 630 A or 1200 A.



**KSSM-S 630/1200**  
Busbar bridges incl. busbar supports for current transformer. For 630 A or 1200 A. May only be installed on dead busbar.



Dimension C in current transformers  
Dimension C, 30 mm if dimension A in current transformer is 85 mm or lesser.



Dimension C in current transformers  
Dimension C in current transformers, 60 mm if dimension A is larger than 85 mm for being able to adjust the distance between them in relation to the busbars' distance of 85 mm.

TRAFO-CD and TRAFO-SD contains:	
1 kit	Busbar bridges incl. busbar supports
1	Fuse-switch-disconnector, SLD 000
2	Neutral terminals, ADC 25
1	Seal cover

Rated current	A	B(max)	C(min)	D(min)	E(max)
A	mm	mm	mm	mm	mm
630	85	50	30	10	40
1200	100	50	60	20	40

Designation	ID No.	Fits enclosure	Number of modules	Rated Data	Weight
			M *		kg/pcs
TRAFO-CD 630	2CGX0 63190392	CDC, CDCM, CDCP	13	500 V, 630 A	5.5
TRAFO-SD 630	2CGX0 63190391	SDC, SDCM, KSIK	13	500 V, 630 A	5.5
TRAFO-SD 1200	2CGX0 63190390	SDC, SDCM, KSIK	19	500 V, 1200 A	8.9
KSSM-S 630	2CGX0 63090017	SDC, SDCM, KSIK	9	500 V, 630 A	2.7
KSSM-S 1200	2CGX0 63090018	SDC, SDCM, KSIK	15	500 V, 1200 A	6.1

\* One module M = 12.5 mm.

# Accessories for kWh metering

3



**MPP 20**  
Mounting plate, steel, for upper section of CDCM. Two plates are used for CDCM X40.



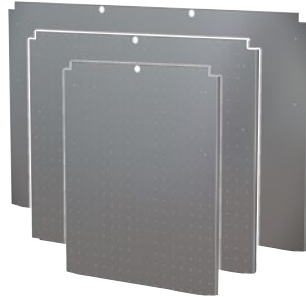
**MPT 40**  
Mounting plate, wood, for upper section of CDCM X40.



**MPP-S 48, MPP-S 73**  
Mounting plate, steel, for the upper section of enclosures type SDCM X48 and SDCM X73. Two plates are used for SDCM X98.



**MPT-S 48, MPT-S 73**  
Mounting plate, wood, for the upper section of SDCM X48 and SDCM X73. Two plates MPT-S 48 are used for SDCM X98.



**KSMP-S 48, KSMP-S 73, KSMP-S 98**  
Mounting plate, steel, for SDC and the lower section of enclosures type SDCM. KSMP-S 48/73 is perforated with hole pitch 38 mm (Ø 3.5). These mounting plates are not fitted for use in enclosures SDC 673 LD and SDC 698 LD.

Designation	ID No.	Fits enclosure	Dimensions			Weight
			Height	Width	Depth	kg/pcs
			mm			
MPP 20	2CGX0 53310665	CDCM	540	268	25	2.0
MPT 40	2CGX0 53310724	CDCM	550	550	12	1.75
MPP-S 48	2CGX0 53190334	SDCM	580	585	25	3.0
MPP-S 73	2CGX0 53310735	SDCM	580	856	25	7.0
MPT-S 48	2CGX0 53310647	SDCM	580	600	12	2.2
MPT-S 73	2CGX0 53310688	SDCM	580	890	12	3.3
KSMP-S 48	2CGX0 53190332	SDC, SDCM	780	660	21	5.0
KSMP-S 73	2CGX0 53190335	SDC, SDCM	780	974	21	8.0
KSMP-S 98	2CGX0 53190333	SDC, SDCM	780	1268	21	11.0





# Accessories

## Locks and tools

3



**CDC-LT**  
Triangular lock for CDC/  
CDCM.



**CDC-LA**  
Subscriber lock for CDC/  
CDCM.



**CDC-LD**  
DIN 3 lock CDC/CDCM.



**CDC-LSE**  
SE lock for CDC/CDCM.



**CDC-LTC**  
Lock for CDC/CDCM with  
equipment for telecommu-  
nication.



**SDC-LT**  
Triangular lock for SDC/  
SDCM.



**SDC-LA**  
Subscriber lock for SDC/  
SDCM.



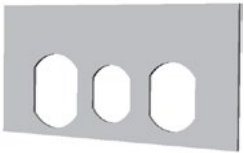
**SDC-LD**  
DIN lock for SDC/SDCM.



**SDC-LSE**  
SE lock for SDC/SDCM.



**SDC-LTC**  
Lock for SDC/SDCM with  
equipment for telecommu-  
nication.



**CDC-CLA**  
Kit for fitting cylinder lock  
type ASSA Abloy/Trioving  
to CDC.



**KSCA**  
Adaptor ring for ASSA  
Abloy lock for SDC.

Designation	ID No.	Suitable key						Weight kg/pcs
		KSNR 4	NK 3	NK 5	NK 30	NKD 3	NK-TC	
CDC-LT	2CGX0 43310739	–	x	x	x	–	–	0.1
CDC-LA	2CGX0 43310740	x	x	x	x	–	–	0.1
CDC-LD	2CGX0 43310742	–	–	–	–	x	–	0.1
CDC-LSE	2CGX0 43310743	–	–	–	x	–	–	0.1
CDC-LTC	2CGX0 43311040	–	–	–	–	–	x	0.1
SDC-LT	2CGX0 43310597	–	x	x	x	–	–	0.1
SDC-LA	2CGX0 43310596	x	x	x	x	–	–	0.1
SDC-LD	2CGX0 43310595	–	–	–	–	x	–	0.1
SDC-LSE	2CGX0 43310598	–	–	–	x	–	x	0.1
SDC-LTC	2CGX0 43310599	–	–	–	–	–	x	0.1
CDC-CLA	2CGX0 53310669	–	–	–	–	–	–	0.1
KSCA	2CGX0 53190278	–	–	–	–	–	–	0.1

# Accessories

## Keys and tools



**KSNR 4**  
Key for subscriber lock.



**NKD 3**  
Key for DIN lock.



**VHB 68**  
Insulating hand tool. 6 and 8 mm hexagon spanner. Fits torque wrench with 1/2" square peg.



**NK 3**  
Key for triangular lock with door opener. The door opener is used to facilitate opening the enclosure if the door has jammed.



**NK 30**  
Key for triangular lock and SE lock with door opener. The door opener is used to facilitate opening the enclosure if the door has jammed.



**NK-TC**  
Key for lock for CDC-LTC and SDC-LTC with door opener. The door opener is used to facilitate opening the enclosure if the door has jammed.

Designation	ID No.	Weight
		kg/pcs
KSNR 4	2CGX0 43190104	0.1
NKD 3	2CGX0 43190661	0.1
VHB 68	2CGX0 63090014	0.4
NK 3	2CGX0 63190370	0.1
NK 30	2CGX0 63190369	0.1
NK-TC	2CGX0 63190373	0.1

# Examples of combinations Enclosures

3



CDC 40 + SDC 98



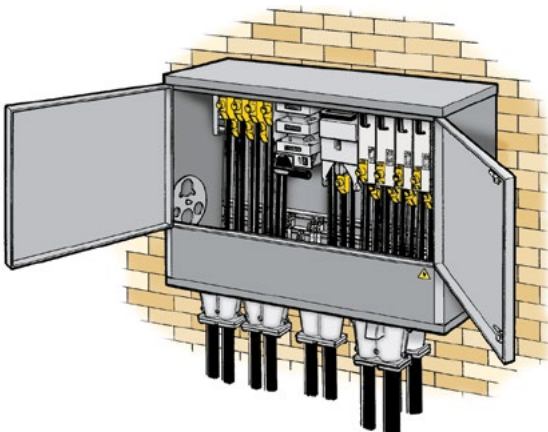
SDC 48 + SDC 98



SDC 98 + SDCM 48



SDCM 48 + SDCM 98



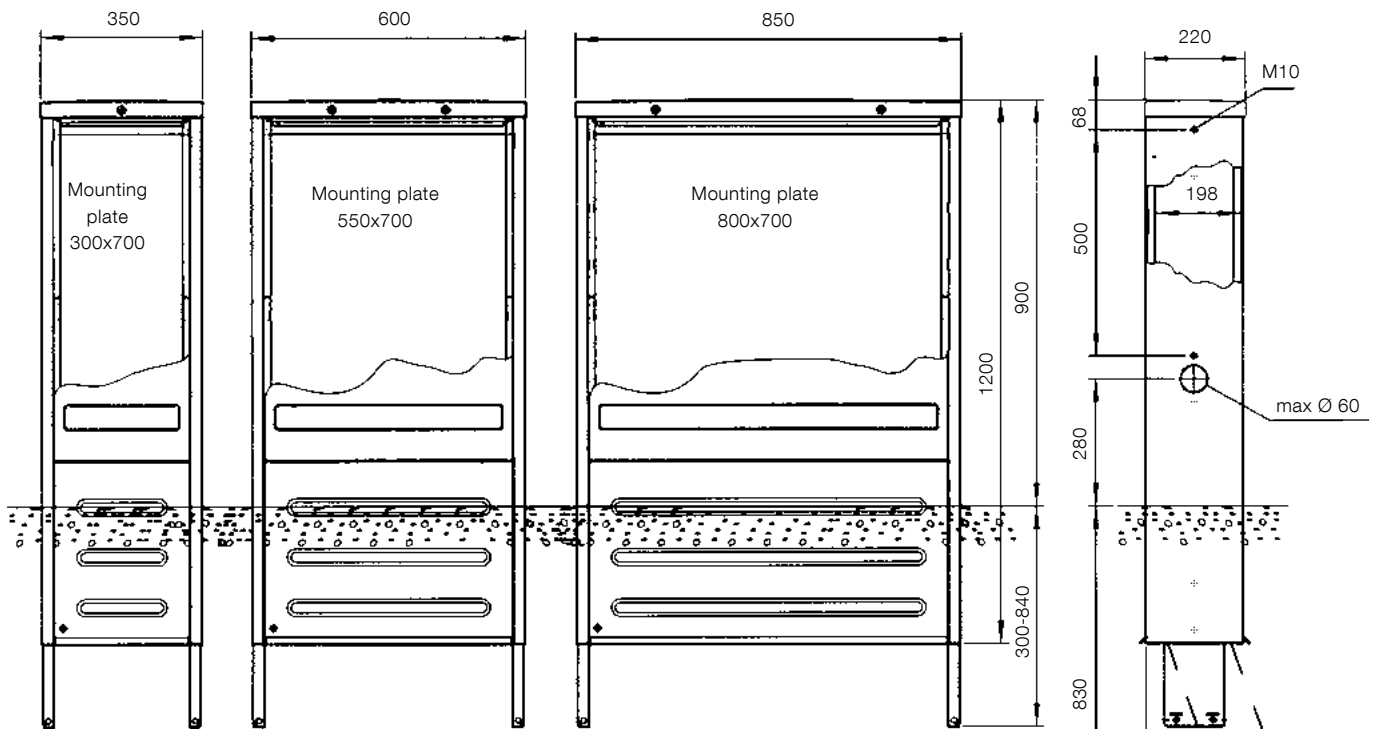
SDC 98 + BPF-S 98



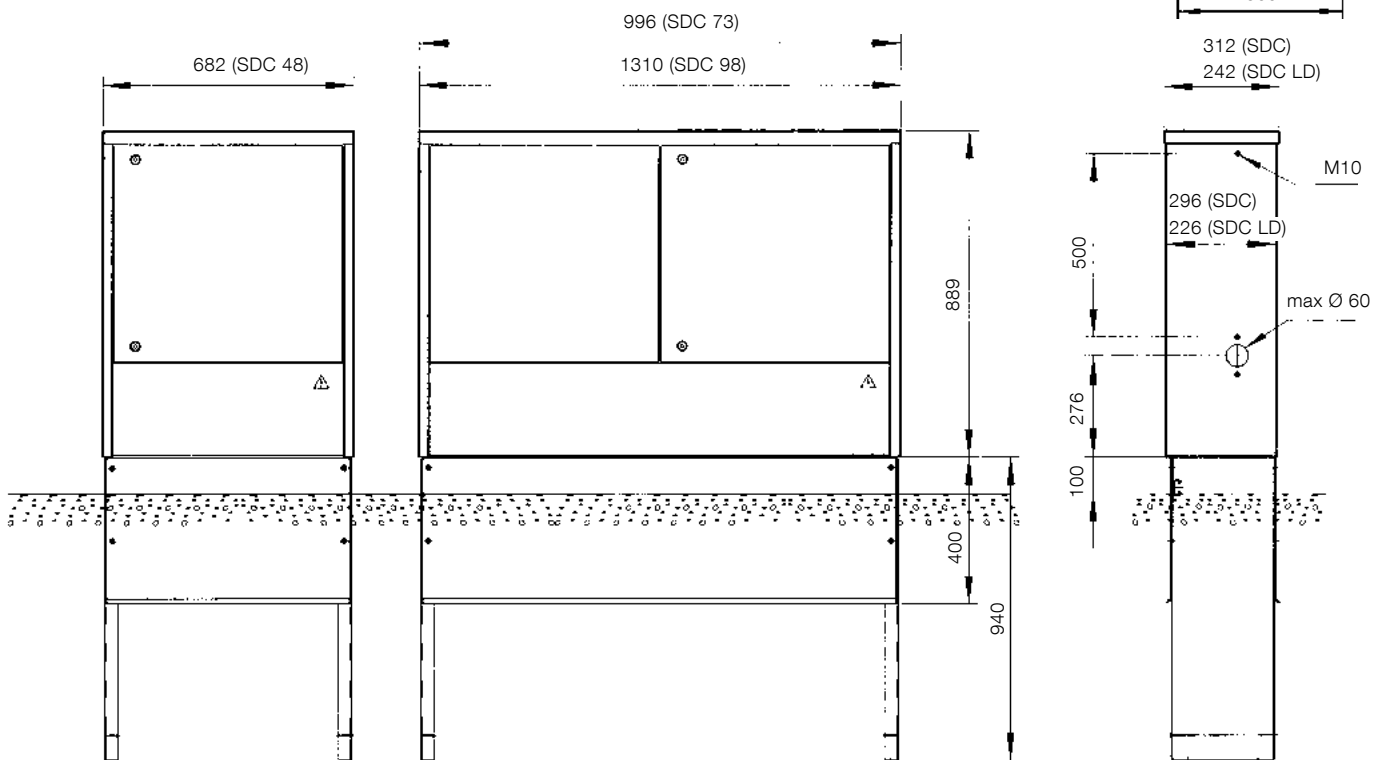
CDC 40 + CDCA

# Dimension drawings

All dimensions in mm



Enclosures CDC

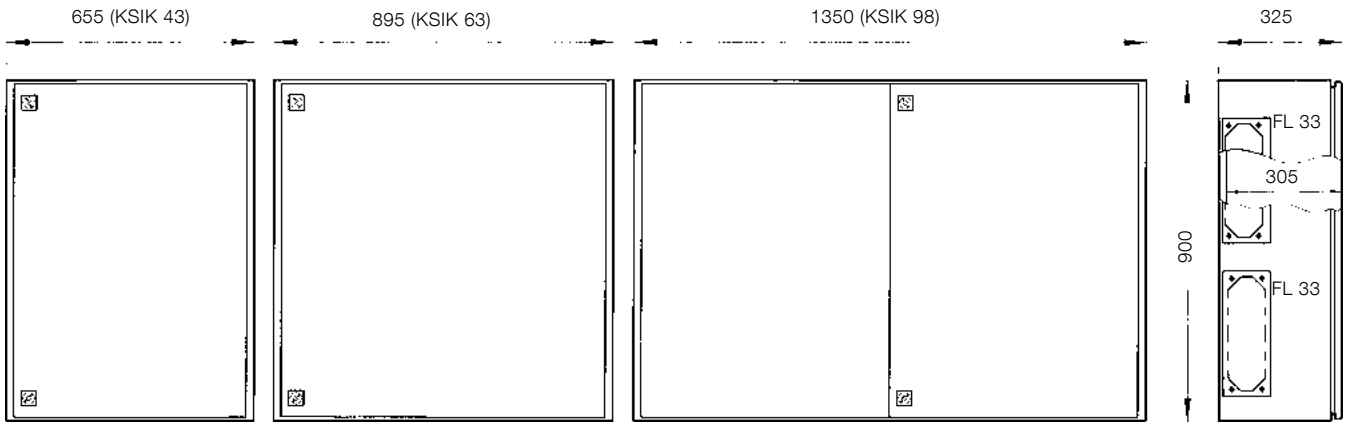


Enclosures SDC

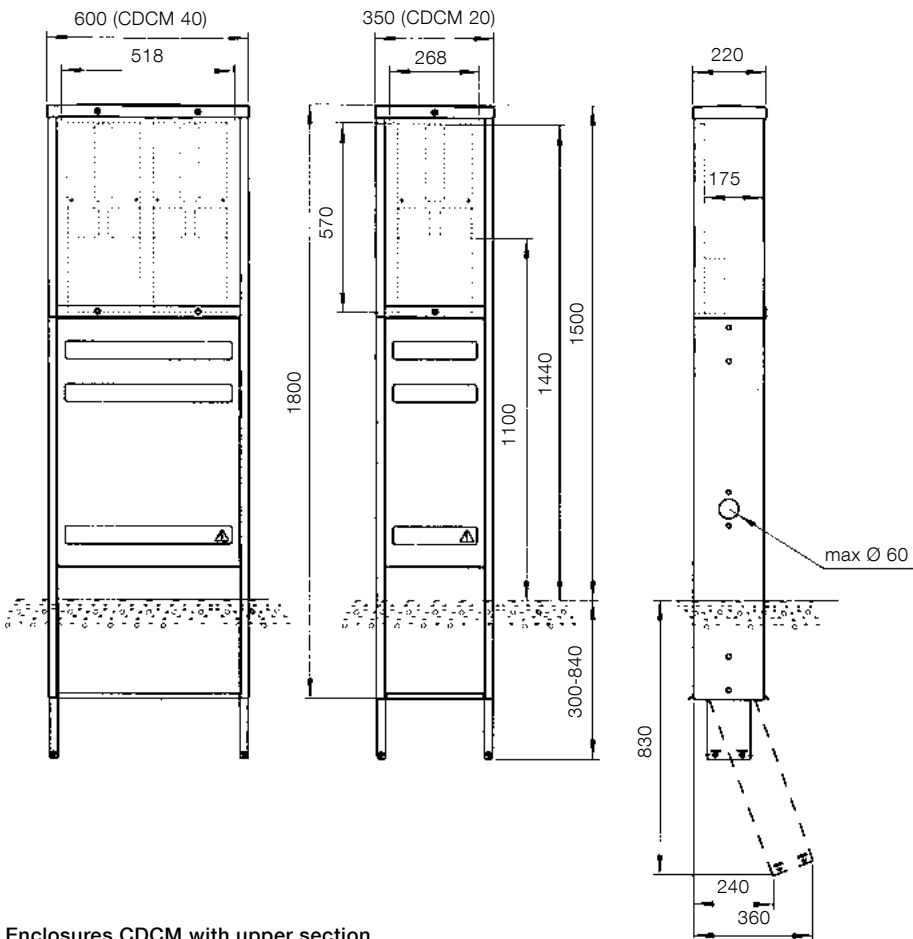
# Dimension drawings

All dimensions in mm

3



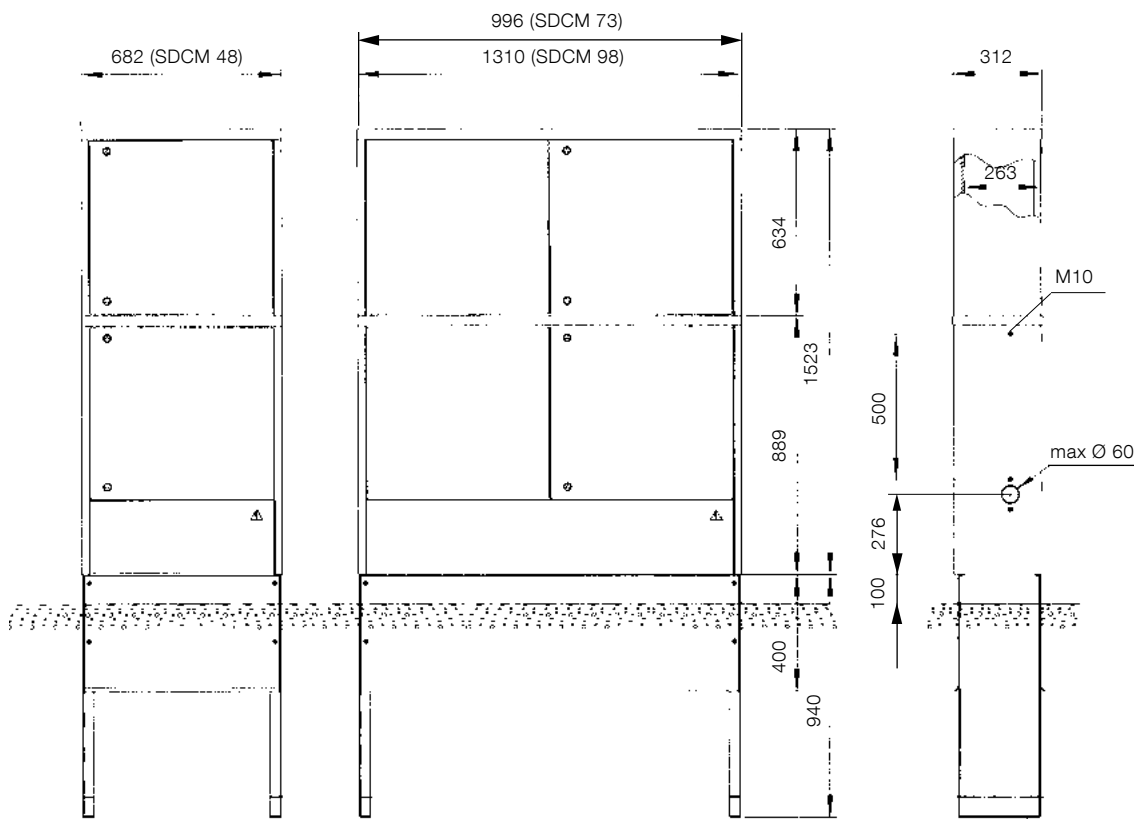
Enclosures KSIIK



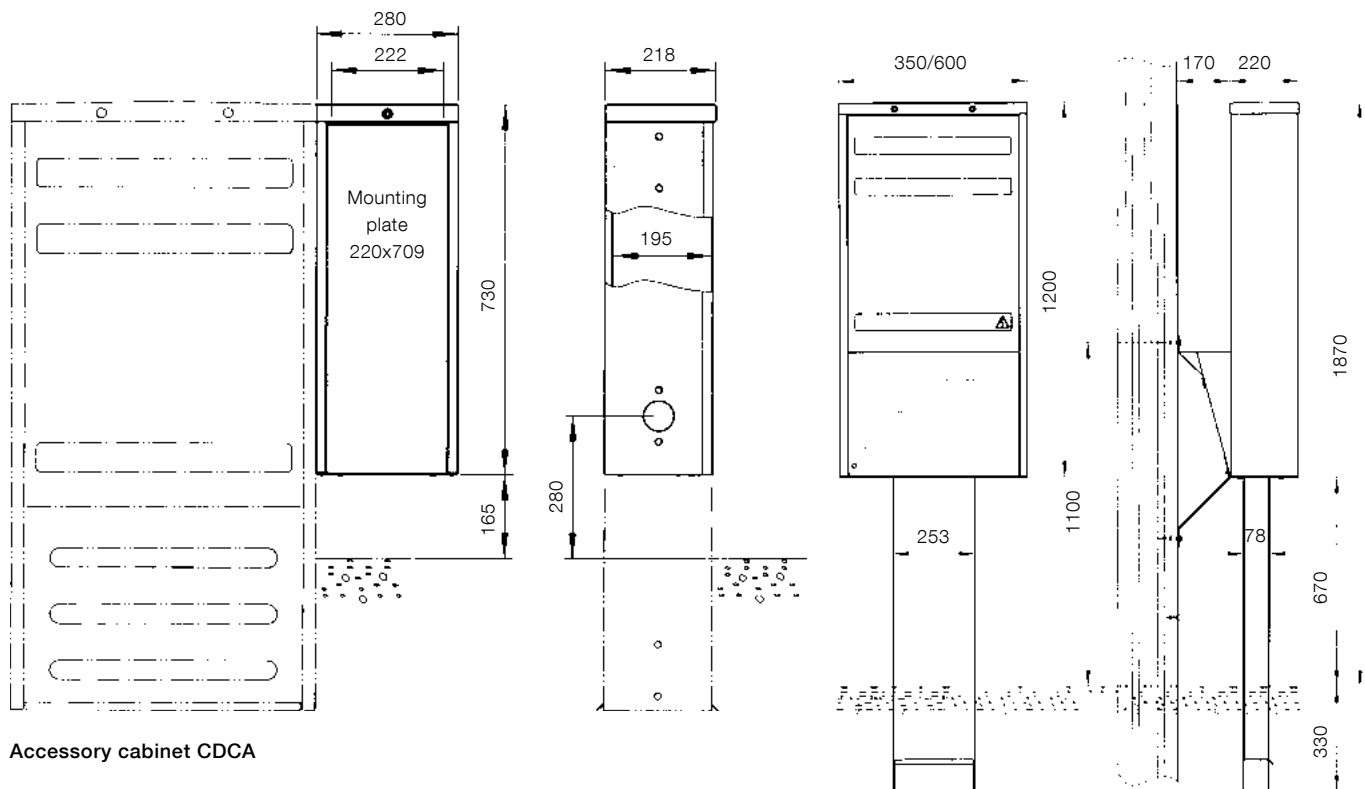
Enclosures CDCM with upper section

# Dimension drawings

All dimensions in mm



Enclosures SDCM with upper section



Accessory cabinet CDCA

Pole mounted cable distribution cabinets CDCP





# Table of Contents

## Pre-assembled distribution boards

### Pre-assembled distribution boards

Metered public lighting pillars – GBC	4/3
Service distribution board – Direct kWh metering, CDCS	4/4
Service distribution board – Transformer metering, CDCS, SDCS	4/5
Standby power – CDCR, SDCR	4/6
Service distribution board – direct kWh metering, CDCS L, CDCS LP	4/7
Options and accessories	4/8

# Pre-assembled metered public lighting pillars

## GBC 6338, GBC 6338 UR

Pre-assembled lighting pillars are available in two variants; with or without astronomical clock. The service line feeder is to be connected to a terminal block for maximum 50 mm<sup>2</sup> Al/Cu conductors. Control of outgoing groups is made by a HAND-O-AUTO switch. Light relay or other control to be connected via built-in auxiliary relay.

- A meter panel and a contactor with rated current 63 A.
- Fundament for installation in the ground is included.
- To be completed with several outgoing groups when needed.
- Easy to make up with service outlet including residual current device.

### Note:

Please contact us when ordering service outlet or uncontrolled outgoing groups.



GBC 6338  
GBC 6338 UR

Designation	ID number	Number of modules M*	Rated data	Suitable fuse	Dimensions			Weight kg/pcs
					Height	Width	Depth	
					mm			
GBC 6338	2CGX0 63301206	40	400 V, 63 A	DIII	1800	600	220	81
GBC 6338 UR	2CGX0 63301207	40	400 V, 63 A	DIII	1800	600	220	81

\* One module M = 12.5 mm.

### Options and accessories, to be ordered separately:

Material for additional outgoing groups



**SLD 000**

Fuse-switch-disconnector.



**AD 350**

Non-insulated connector.



**ADC 25**

Non-insulated connector.

Designation	ID number	Number of modules M*	Rated data	Suitable fuse	Dimensions			Weight kg/pcs	See page
					Height	Width	Depth		
					mm				
SLD 000	2CGX0 63050106	3	400 V, 100 A	C00 / NH000	495	38	160	1.7	2/7
AD 350	2CGX0 63030262	-	400 A	-	61	38	45	0.2	2/18
ADC 25	2CGX0 63030233	-	63 A	-	36	10	26	0.1	2/18

\* One module M = 12.5 mm.

# Pre-assembled distribution board for direct kWh metering CDCS 2520, CDCS 6320

Pre-assembled service distribution boards for direct kWh metering type CDCS 2520 for 25 A and CDCS 6320 for 63 A complete with all essential components for connecting the service line feeder and also an outgoing cable.

In these distribution boards, space for maximum six outgoing groups type SLD 000 is available. The service line feeder is to be connected to a terminal block for maximum 50 mm<sup>2</sup> Al/Cu conductors.

- The enclosures are tested according to IEC 61439-5 and fulfill the requirements for use in arctic climate.
- Degree of protection, enclosures, IP34D.
- Degree of protection, switching devices, IP2X according to IEC 60529.
- The foundation is integrated in the enclosure both for putting up on the floor indoors, and in the ground for installation outdoors.
- Subscriber lock (triangular) to upper section, DIN 3 lock for lower section and key to respective lock are included.
- Adapted to TN-C-S.



CDCS 2520  
CDCS 6320

Designation	ID No.	Fuse-switch Rated current	Max outgoing groups	Free space on the busbar	Weight
		A		M *	kg/pcs
CDCS 2520	2CGX0 63301145	25	6	20	55
CDCS 6320	2CGX0 63301146	63	6	20	55

\* One module M = 12.5 mm.

Options and accessories, to be ordered separately:  
Material for additional outgoing groups



**SLD 000**  
Fuse-switch-disconnectors.



**AD 70**  
Non-insulated connector.



**AD 95**  
insulated connector.

Options and accessories	Rated current	Designation	ID No.	Cable connection Al/Cu	Width	Weight	See page
	A			mm <sup>2</sup>	M *	kg/pcs	
Outgoing groups	100	SLD 000 (C00)	2CGX0 63050106	2.5-95	3	1.7	2/7
Connection to phase busbar	200	AD 95	2CGX0 63030249	6-95	2	0.1	2/18
PE/N clamp	-	AD 70	2CGX0 63030038	6-95	-	0.1	2/18

\* One module M = 12.5 mm.

# Pre-assembled distribution boards for transformer metering CDCS 16015 and SDCS 16023, 25018, 25043

Pre-assembled service distribution boards are available in four variants for 160 A or 250 A, complete with all essential components for connecting the service cable, mounting current transformer, terminal blocks and meter. Outgoing groups are not included.

Space for outgoing groups varies from 5 to maximally 14 depending on the size of the chosen service distribution board.

4

- Enclosures are tested according to IEC 61439-5 and fulfill the requirements for use in arctic climate.
- Degree of protection, enclosures, IP34D.
- Degree of protection, switching devices, IP2X according to IEC 60529.
- The foundation of CDCS 16015 is integrated in the enclosure both for putting up on the floor indoors, and in the ground for installation outdoors.
- For SDCS the choice of foundation is dependent to putting up indoors on the floor or fixed on the wall; or also installation outdoors in the ground, see page 4/8 for suitable foundation.
- Subscriber lock (triangular) for upper section and DIN 3 lock for lower section.
- Keys included; KSNR 4 to subscriber lock, NKD 3 to DIN 3.
- Adapted to TN-C-S.



CDCS 16015



SDCS 25043

Designation	ID No.	Switch-fuse Rated current A	Max outgoing groups	Free space on the busbar M *	Dimensions			Weight kg/pcs
					Height	Width	Depth	
					mm			
CDCS 16015	2CGX0 63301122	160 / 125 **	5	15	1800	600	220	79
SDCS 16023	2CGX0 63301123	160 / 125 **	7	23	1523	682	312	88
SDCS 25018	2CGX0 63301124	250 / 224 **	6	18	1523	682	312	94
SDCS 25043	2CGX0 63301125	250 / 224 **	14	43	1523	996	312	115

\* One module M = 12.5 mm.

\*\* Rated current with enclosure.

Options and accessories, to be ordered separately:

Material for additional outgoing groups



SLD 000

Fuse-switch-disconnector.



SLD 00

Fuse-switch-disconnector.



SLD 1

Fuse-switch-disconnector.



AD 70, ADO 240

Non-insulated connector.

Options and accessories	Rated current A	Designation	ID No.	Cable connection Al/Cu mm <sup>2</sup>	Number of modules M *	Weight kg/pcs	See page
Outgoing groups	160	SLD 00 (00)	2CGX0 63050107	2.5-95	4	1.8	2/8
Outgoing groups	250	SLD 1 (1)	2CGX0 63050108	50-300	10	4.3	2/10
PE-/N clamp	–	AD 70	2CGX0 63030038	6-95	–	0.1	2/18
PE-/N clamp	–	ADO 240	2CGX0 63030263	120-240	–	0.25	2/18

\* One module M = 12.5 mm.

# Pre-assembled distribution board for standby power CDCR 63, SDCR 125

Pre-assembled distribution board with standby power switch, inlet and metering is available in two variants:

- CDCR 63 with direct kWh metering.
- SDCR 125 with transformer metering

Complete with all essential components for connecting the service cable. Outgoing groups are not included.

Space for outgoing groups varies between 12 for CDCR 63 and 13 for SDCR 125. The service line feeder is to be connected to a terminal block for maximum 50 mm<sup>2</sup> Al/Cu conductors.

- Enclosures are tested according to IEC 61439-5 and fulfill the requirements for use in arctic climate.
- Degree of protection, enclosures, IP34D.
- Degree of protection, switching devices, IP2X according to IEC 60529.
- The foundation of CDCR 63 is integrated in the enclosure both for putting up on the floor indoors, and in the ground for installation outdoors.
- For SDCR 125 the choice of foundation is dependent to putting up indoors on the floor or fixed on the wall; or also installation outdoors in the ground, see page 4/8 for suitable foundation.
- Subscriber lock (triangular) for upper section and DIN 3 lock for lower section.
- Keys included; KSNR 4 to subscriber lock, NKD 3 to DIN 3.
- Adapted to TN-C-S.



CDCR 63

SDCR 125

Designation	ID No.	Switch-fuse Rated current A	Fitting fuse type	Max outgoing groups	Free space on the busbar M *	Dimensions			Weight kg/pcs
						Height	Width	Depth	
CDCR 63	2CGX0 63301204	63	DIII	12	38	1800	740	220	95
SDCR 125	2CGX0 63301205	125	NH 00	13	40	1530	1166	312	125

\* 1 module M = 12,5 mm.

Options and accessories, to be ordered separately:

Material for additional outgoing groups



SLD 000  
Fuse-switch-disconnector.



SLD 00  
Fuse-switch-disconnector.



SLD 1  
Fuse-switch-disconnector.



AD 70, ADO 240  
Non-insulated connector.

Options and accessories	Rated current A	Designation	ID No.	Cable connection Al/Cu mm <sup>2</sup>	Number of modules M *	Weight kg/pcs	See page
Outgoing groups	160	SLD 00 (00)	2CGX0 63050107	2.5-95	4	1.8	2/8
Outgoing groups	250	SLD 1 (1)	2CGX0 63050108	50-300	10	4.3	2/10
PE-/N clamp	–	AD 70	2CGX0 63030038	6-95	–	0.1	2/18
PE-/N clamp	–	ADO 240	2CGX0 63030263	120-240	–	0.25	2/18

\* One module M = 12,5 mm.

# Pre-assembled distribution board for direct kWh metering

## CDCS 25 L, CDCS 63 L

## CDCS 25 LP, CDCS 63 LP

Pre-assembled service distribution board, low profile with direct kWh metering, available in four versions:

- CDCS 25 L for 25 A
- CDCS 63 L for 63 A
- CDCS 25 LP for 25 A
- CDCS 63 LP for 63 A

The enclosures CDCS LP are powder coated in green color (RAL 6012) to fit the green spaces such as parks.



CDCS L



CDCS LP

4

### Included details

- The foundation is integrated in the enclosure for both indoor and outdoor installations.
- Meter panel for 25 or 63 A.
- Connecting clamps for connecting the service line feeder and also for outgoing cable.
- Subscriber lock.

### Standard

- The enclosures are tested according to IEC 60439-5 and fulfill the requirements for use in arctic climate.
- Degree of protection IP34D.

### Note:

- Key for subscriber lock, KSNR 4, to be ordered separately. See page 3/32.

Designation	ID number	Fuse-switch	Cable connection	Dimensions			Weight
		Rated current A	Al/Cu mm <sup>2</sup>	Height	Width mm	Depth	
CDCS 25 L	2CGX0 63301208	25	6–50	1200	350	220	40
CDCS 63 L	2CGX0 63301209	63	6–50	1200	350	220	40
CDCS 25 LP	2CGX0 63301210	25	6–50	1200	350	220	40
CDCS 63 LP	2CGX0 63301211	63	6–50	1200	350	220	40

### Accessories, to be ordered separately



### UKRA 90

Universal clamp for fixing cables with Ø 20-90 mm, on mounting rails in a cabinet, for example.

Designation	ID No.	Diameter Ø	Qty per pack	Weight kg/pcs
		mm		
UKRA 90	2GLX0 65300013	20-90	1	0.2

# Options and accessories

## To be ordered separately for pre-assembled distribution boards

### Suitable foundations



**MARK-S 48/MARK-S 73**  
Complete foundation when distribution board is installed outdoors in the ground.



**GOLV-S 48/GOLV-S 73**  
Complete foundation when distribution board is installed indoors on a floor.



**BPF-S 48/BPF-S 73**  
Base plate with 4 or 6 flange openings when distribution board is installed indoors on a wall.

Designation service distribution board	Designation Suitable foundation	Description	ID No.
GBC 6338, CDCS 2520, CDCS 6320, CDCS 16015, CDCR 63, CDCS 25 L, CDCS 63 L, CDCS 25 LP, CDCS 63 LP	Integrated	–	–
SDCR 125	MARK-S 73	Foundation to be installed outdoors in the ground	2CGX0 63300549
	BPF-S 73 <sup>1)</sup>	Base plate with 4 st FL21-flange openings <sup>2)</sup>	2CGX0 53310682
	GOLV-S 73	Foundation to be installed indoors on a floor	2CGX0 63300550
SDCS 16023	MARK-S 48	Foundation to be installed outdoors in the ground	2CGX0 63300439
	BPF-S 48 <sup>1)</sup>	Base plate with 6 st FL21-flange openings <sup>2)</sup>	2CGX0 53310629
	GOLV-S 48	Foundation to be installed indoors on a floor	2CGX0 63300441
SDCS 25018	MARK-S 48	Foundation to be installed outdoors in the ground	2CGX0 63300439
	BPF-S 48 <sup>1)</sup>	Base plate with 4 st FL21-flange openings <sup>2)</sup>	2CGX0 53310629
	GOLV-S 48	Foundation to be installed indoors on a floor	2CGX0 63300441
SDCS 25043	MARK-S 73	Foundation to be installed outdoors in the ground	2CGX0 63300549
	BPF-S 73 <sup>1)</sup>	Base plate with 6 st FL21-flange openings <sup>2)</sup>	2CGX0 53310682
	GOLV-S 73	Foundation to be installed indoors on a floor	2CGX0 63300550

1) Choose also FV or VF-S 30.  
2) Flanges are not included.

### Other accessories



**VHB 68**  
Insulated hand tool, 6 and 8 mm hexagon spanner. Fits torque wrench with 1/2" square peg.



**VF-S 30**  
Wall bracket, two required per cabinet. Fits cabinets SDCS.



**FV**  
Wall bracket for installing on the wall, fits all Kabeldon cabinets CDC and CDCM.



**UKRA 90**  
Universal clamp for fixing cables with max 90 mm outer diameter.

Quantity	Designation	Description	ID No.
1	VHB 68	Insulated hand tool 1000 V, 6 and 8 mm	2CGX0 63090014
2	VF-S 30	Wall bracket for SDCS, provide 30 mm free space behind the cabinet	2CGX0 53310643
4	FV	Wall bracket for CDCS/SDCS	2CGX0 63190225
1	UKRA 90	Universal clamp	2GLX0 65300013





# Table of Contents

## Technical data

### Technical data

Busbar system	5/3
Switching devices with dependent manual operation	5/3
Switching devices with independent manual operation	5/4
Connectors	5/4
Switching devices with independent manual operation, etc	5/5
Accessories	5/5
Cable distribution cabinets	5/5
Torque wrench for switching devices and enclosures	5/6

# Technical data

Busbar system	Quantity	400 A		630 A		1000 A	1600 A	1600 A	2500 A
		CSS <sup>2)</sup>		CSS <sup>2)</sup>					
Rated operational voltage, $U_e$	V	690		690		690	690	690	690
Rated insulation voltage, $U_i$	V	1000		1000		1000	1000	1000	1000
Rated operational current, $I_e$ and rated conventional thermal current, $I_{th}$	A	400		630		1000	1600	1600	2500
Rated short-time withstand current, $I_{cw}$	$kA_{rms/s}$	30/0.2 <sup>1)</sup>		23/1 <sup>1)</sup>		40/1 <sup>1)</sup>	70/1 <sup>1)</sup>	30/1	65/1
Rated fused short-circuit current, $I_{cf}$	$kA_{rms}$	50	85	50	85	–	–	–	–
	max A	3//315	3//250	3//315	3//250	–	–	–	–
Rated peak withstand current, $I_{pk}$	$kA_{peak}$	55		55		–	–	67	148
Rated peak withstand current; 1 m long busbar without fitted device, $I_{pk}$	$kA_{peak}$	–		–		50	85	–	–
Degree of protection according to IEC 60 529		IP2X		IP2X		IP2X	IP2X	IP2X	IP2X

1) Test prerequisite: DT=100 K. Final temperature of the busbar max. 150° C.  
2) Adjusted for use in substations and low voltage switchgears.

5

Switching device with dependent manual operation, uninterrupted duty	Quantity	SLD 000		SLD-FHD 000	SLD 00		SLD-FHD 00	SLD 1		SLD 2			SLD 63	FD 3300
		400	690 <sup>1)</sup>	230	400	690 <sup>1)</sup>	230	400	690 <sup>1)</sup>	400	690 <sup>1)</sup>	1000 <sup>1)</sup>	400	400
Rated operational voltage, $U_e$	V	690		690	690		690	690		1000			690	690
Rated insulation voltage, $U_i$	V	8		8	8		8	8		8			8	8
Rated impulse withstand voltage, $U_{imp}$	kV	8		8	8		8	8		8			8	8
Rated operational current, $I_e$ and rated conventional thermal current, $I_{th}$ <sup>2)</sup>	A	100	80	100	160	160	160	250	250	400	355	100	63	400
Utilization category according to IEC 60947-3		AC-23B	AC-22B	AC-21B	AC-23B	AC-21B	AC-21B	AC-23B	AC-22B	AC-23B	AC-22B	AC-21B	AC-21B	
Rated short-time withstand current, $I_{cw}$	$kA_{rms/s}$	6.1/1 <sup>5)</sup>		–	6.1/1 <sup>5)</sup>		–	16.2/1 <sup>5)</sup>		16.2/1 <sup>5)</sup>			–	15/1
Rated peak withstand current, $I_{pk}$	$kA_{peak}$	10.9 <sup>5)</sup>		–	10.9 <sup>5)</sup>		–	34.4 <sup>5)</sup>		34.4 <sup>5)</sup>			–	42
Rated conditional fused short-circuit current, $I_{cf}$	$kA_{rms}$	50	30	30	50	30	30	50	50	50	50	30	40	50
	max A	100	80	100	160	160	160	250	250	400	355	100	63	2//400
Degree of protection according to IEC 60529	fuse	IP2X <sup>4)</sup>		IP2X <sup>4)</sup>	IP2X <sup>4)</sup>		IP2X <sup>4)</sup>	IP2X		IP2X			IP2X	IP2X
Connectable conductor cross-section, Al/Cu	mm <sup>2</sup>	2.5-95		2.5-95	2.5-95		2.5-95	50-300		50-300			1,5–25	50-300

## Remarks

- 1) To be used only in dry environments.
- 2) Fuse with power dissipation according to IEC 60269-2-1.
- 3) With linking knives.
- 4) IP1X at operation, depending on design dimensions of the fuse.
- 5) Tested with the earthing device JDD.

Switching device with dependent manual operation, uninterrupted duty	Quantity	SLDL 2			SLDL 2-1P			SLDL 3			SLDL 3-1P		
		400	690 <sup>1)</sup>	1000 <sup>1)</sup>	230	400 <sup>1)</sup>	690 <sup>1)</sup>	400	690 <sup>1)</sup>	1000 <sup>1)</sup>	230	400 <sup>1)</sup>	690 <sup>1)</sup>
Rated operational voltage, $U_e$	V	1000			1000			1000			1000		
Rated insulation voltage, $U_i$	V	8			8			8			8		
Rated impulse withstand voltage, $U_{imp}$	kV	8			8			8			8		
Rated operational current, $I_e$ and rated conventional thermal current, $I_{th}$ <sup>2)</sup>	A	400	400	100	400	400	100	630	500	100	630	500	100
Utilization category according to IEC 60947-3		AC-23B	AC-22B	AC-21B	AC-23B	AC-22B	AC-21B	AC-23B	AC-22B	AC-21B	AC-23B	AC-22B	AC-21B
Rated short-time withstand current, $I_{cw}$	$kA_{eff/s}$	10,3/1			10,3/1			10,3/1			10,3/1		
Rated peak withstand current, $I_{pk}$	$kA_{topp}$	21,0			21,0			21,0			21,0		
Rated conditional fused short-circuit current, $I_{cf}$	$kA_{eff}$	50	50	28	50	50	28	50	50	28	50	50	28
	max A	400	400	100	400	400	100	630	500	100	630	500	100
Degree of protection according to IEC 60529		IP2X			IP2X			IP2X			IP2X		
Connectable conductor cross-section, Al/Cu	mm <sup>2</sup>	35-240			35-240			35-240			35-240		
		2 x 95-240			2 x 95-240			2 x 95-240			2 x 95-240		

## Remarks

- 1) To be used only in dry environments.
- 2) Fuse with power dissipation according to IEC 60269-2-1.

# Technical data

Switching device with independent manual operation	Quantity	SEKOD			SLOC	LBOD		
		125	224	355	630	800	1000	1600
Rated operational voltage, $U_e$	V	690	690	690	690	690	690	690
Rated insulation voltage, $U_i$	V	1000	1000	1000	1000	1000	1000	1000
Rated impulse withstand voltage, $U_{imp}$	kV	8	12	12	12	12	12	12
Rated conventional enclosed thermal current, $I_{the}$ and rated thermal current, $I_{th}$	A	125 <sup>1)</sup> 160 <sup>2)</sup>	224 <sup>1)</sup> 250 <sup>2)</sup>	355 <sup>1)</sup> 400 <sup>2)</sup>	540 <sup>3)</sup> 615	680 785	950 1000	1250 1325
Utilization category according to IEC 60947-3		AC-23A	AC-23A	AC-23A	AC-23A	AC-23A	AC-23A	AC-23A
Rated short-time withstand current, $I_{cw}$	kA <sub>rms/1s</sub>	5	8	14	18	20	50	50
Rated peak withstand current, $I_{pk}$	kA <sub>peak</sub>	–	–	–	–	80	110	110
Rated conditional fused short-circuit current, $I_{cf}$	kA <sub>rms</sub>	20	32	46	55	90	100	100
	Fuse max A	160	250	400	630	800	1250	1250
Degree of protection according to IEC 60529		IP2X	IP2X	IP2X	IP2X <sup>4)</sup>	IP2X <sup>4)</sup>	IP2X <sup>4)</sup>	IP2X <sup>4)</sup>
Connectable conductor cross-section, Cu/Al	mm <sup>2</sup>	50–300	50–300	50–300	–	–	–	–

1) Mounting with horizontal fuses limits the current by 8 % which gives the fuse sizes according to the table.

2) With linking knives 160 A, 250 A and 400 A respectively.

3) In enclosure and with horizontal fuses, according to the manufacturer.

4) To be mounted only disconnected.

Connectors <sup>1)</sup>	Quantity	ADC 25	AD 70	ADO 240	AD 350	AD 95	AD 2150	AD 300	ADB 3M	AD 400
Rated operational voltage, $U_e$	V	690	690	690	690	690	690	690	500	690
Rated insulation voltage, $U_i$	V	–	–	–	–	1000	690	1000	690	1000
Rated operational current, $I_e$ and rated conventional thermal current, $I_{th}$	A	63	200	400	400	200	400	630	500	630
Max. fuse	A	–	–	–	–	–	2//200	–	–	–
Rated short-time withstand current, $I_{cw}$	kA <sub>rms/s</sub>	–	19/1	–	25/1	30/0.2	30/0.2	30/1	–	35/1
Rated conditional short-circuit current with fuse $I_{cf}$	kA <sub>rms</sub>	–	50	50	50	50	50	50	–	–
	max. A	–	200	400	400	200	2//200	400	–	–
Degree of protection according to IEC 60529		–	–	–	–	IP2X	IP2X	IP2X	IP2X	IP2X
Connectable conductor cross-section Al/Cu	mm <sup>2</sup>	1.5 - 25	6 - 95	70-240	3 x 6-50	6 - 95	35-2//150	50 - 300	50-300	50-400

1) According to IEC 61238-1.

Connectors	Quantity	STM 400	ADP 300	KSSM-S 630	KSSM-S 1200	AB 800	AB 1200	ADR M8/M12	ADR H12
Rated operational voltage, $U_e$	V	690	690	500	500	500	500	–	–
Rated insulation voltage, $U_i$	V	690	1000	690	690	690	690	–	–
Rated operational current, $I_e$ and rated conventional thermal current, $I_{th}$	A	400	630	630	1200	800	1200	630	630
Degree of protection according to IEC 60529		IP2X	IP2X	IP2X	IP2X	–	–	–	–
Connectable conductor cross-section Al/Cu	mm <sup>2</sup>	50-300	2//50-300	–	–	–	–	–	–

# Technical data

Switching devices with independent manual operation	Quantity	APXT 1 + CKXT 1		APXT 2 + CKXT 2		APXT 3 + CKXT 3		APXT 4 + CKXT 4	
		with SACE Tmax XT1		with SACE Tmax XT2		with SACE Tmax XT3		with SACE Tmax XT4	
Rated operational voltage, $U_e$	V	400	690	400	690	400	690	400	690
Rated insulation voltage, $U_i$	V	800		1000		800		1000	
Rated impulse withstand voltage, $U_{imp}$	kV	8		8		8		8	
Rated operational current, $I_e$	A	125		160		230		250	
Conventional enclosed thermal current, $I_{th}$	A	125		160		200		220	
Utilization category according to IEC 60947-2		A		A		A		A	
Rated ultimate short-circuit breaking capacity <sup>1)</sup> , $I_{cu}$	kA	50	8	50	12	50	6	50	12
Rated service short-circuit breaking capacity <sup>2)</sup> , $I_{cs}$	kA	75 %	50 %	100%	100%	50%	50%	100%	100%
Degree of protection according to IEC 60529, mounted		IP2X <sup>3)</sup>		IP2X <sup>3)</sup>		IP2X <sup>3)</sup>		IP2X <sup>3)</sup>	
Connectable conductor cross-section, Al/Cu	mm <sup>2</sup>	50-300		50-300		50-300		50-300	

1) Check technical data for breakers  
2) May only be installed disconnected

5

Switching devices with independent manual operation	Quantity	KLAP T5 630		A-S/T6 630		A-S/T6 800		A-T7 1000	
		with SACE Tmax T5		with SACE T6		with SACE T6		with SACE T7	
Rated operational voltage, $U_e$	V	400	690	400	690	400	690	400	690
Rated insulation voltage, $U_i$	V	1000		1000		1000		1000	
Rated impulse withstand voltage, $U_{imp}$	kV	8		8		8		8	
Rated operational current, $I_e$ and rated conventional thermal current, $I_{th}$	A	525		630		800		1000	
Utilization category according to IEC 60947-2		A		B		B		B	
Rated ultimate short-circuit breaking capacity, $I_{cu}$	kA	36	20	50	22	50	22	50	30
Rated service short-circuit breaking capacity, $I_{cs}$	kA	36	20	50	16.5	50	16.5	50	30
Degree of protection according to IEC 60529, mounted		IP2X <sup>1)</sup>		IP2X <sup>1)</sup>		IP2X <sup>1)</sup>		IP2X <sup>1)</sup>	
Connectable conductor cross-section, Al/Cu	mm <sup>2</sup>	-		-		-		-	

1) May only be installed disconnected.

Accessories	Quantity	PHD 2	PHD 2 SDC	JDDA 000	JDDA 00	JDDA 1	JDDA 2
Rated operational voltage, $U_e$	V	400	400	-	-	-	-
Rated insulation voltage, $U_i$	V	690	690	690	690	690	690
Rated operational current, $I_e$ and rated conventional thermal current, $I_{th}$	A	400 <sup>1)</sup>	400 <sup>1)</sup>	-	-	-	-
Utilization category acc to IEC 60947-3		AC-23B	AC-23B	-	-	-	-
Rated short-time withstand current, $I_{cw}$	kA <sub>rms/s</sub>	-	-	6.1/1	6.1/1	16.2/1	16.2/1
Rated peak withstand current, $I_{pk}$	kA <sub>peak</sub>	-	-	10.9	10.9	34.4	34.4
Rated fused short-circuit current, $I$	kA <sub>rms</sub>	50	50	-	-	-	-
		400	400	-	-	-	-

Remarks

1) Fuses with power dissipation according to IEC 60269-2-1.  
2) With 95 mm<sup>2</sup> earthing cable.

Cable distribution cabinets	Quantity	400 A		630 A	
Rated operational voltage, $U_e$	V	400		400	
Rated insulation voltage, $U_i$	V	1000		1000	
Rated operational current, $I_e$ and rated conventional thermal current, $I_{th}$	kV	400		630	
Max. fuse	A	3//315		3//315	
Rated short-time withstand current, $I_{cw}$	A	30/0.2 <sup>1)</sup>		23/1 <sup>1)</sup>	
Rated fuse short-circuit current, $I_{ct}$	kA <sub>rms/s</sub>	50	85	50	85
	max A	3//315	3//250	3//315	3//250
Rated peak withstand current, $I_{pk}$	kA <sub>peak</sub>	55		55	
Degree of protection acc. to IEC 60529	Busbar system	IP2X		IP2X	
	Enclosure	IP34D		IP34D	

1) Test prerequisite:  $\Delta T=100$  K. Final busbar temperature max. 150° C.

# Torque wrench for switching devices and enclosures

Designation	To phase busbar	Cable connection				
		2,5-16 mm <sup>2</sup>	25-35 mm <sup>2</sup>	50-95 mm <sup>2</sup>	120-300 mm <sup>2</sup>	Others
SLD 63	15 Nm	15Nm	15 Nm	–	–	–
SLD 000, SLD 00	15 Nm	15Nm	15 Nm	20 Nm	–	–
SLD-FHD 000, SLD-FHD 00	15 Nm	15Nm	15 Nm	20 Nm	–	–
SLD 1, SLD 2	15 Nm	–	–	20 Nm	35 Nm	–
FD 3300	20 Nm	–	–	20 Nm	45 Nm	–
SLDL 2, SLDL 3	15 Nm	–	–	25 Nm	25 Nm	35 Nm <sup>1)</sup>
SLDL 2-1P, SLDL 3-1P	15 Nm	–	–	25 Nm	25 Nm	35 Nm <sup>1)</sup>
AD 70	20 Nm	10Nm (from 6mm <sup>2</sup> )	20 Nm	20 Nm	–	–
ADO 240	20 Nm	–	–	–	35 Nm (max 240 mm <sup>2</sup> )	–
AD 350	20 Nm	10Nm (from 6mm <sup>2</sup> )	20 Nm	20 Nm (max 50 mm <sup>2</sup> )	–	–
AD 95	20 Nm	10Nm (from 6mm <sup>2</sup> )	20 Nm	20 Nm	–	–
AD 300	20 Nm	–	–	20 Nm	45 Nm	–
AD 2150	20 Nm	–	–	20 Nm	45 Nm	–
ADB 3M	20 Nm	–	–	–	–	20 Nm <sup>2)</sup>
AD 400	20 Nm	–	–	20 Nm	45 Nm	–
SEKOD 125	15 Nm	–	–	20 Nm	45 Nm	20 Nm <sup>3)</sup>
SEKOD 224	15 Nm	–	–	20 Nm	45 Nm	20 Nm <sup>3)</sup>
SEKOD 355	15 Nm	–	–	20 Nm	45 Nm	20 Nm <sup>3)</sup>
SLOC 630	25 Nm	–	–	–	–	–
LBOD 800	25 Nm	–	–	–	–	35 Nm <sup>3)</sup>
LBOD 1000	25 Nm	–	–	–	–	–
LBOD 1600	25 Nm	–	–	–	–	25 Nm <sup>3)</sup>
KLAP T5	20 Nm	–	–	–	–	20 Nm <sup>4)</sup>
A-S/T6 630	20 Nm	–	–	–	–	9 Nm <sup>3)</sup>
A-S/T6 800	20 Nm	–	–	–	–	9 Nm <sup>3)</sup>
A-T7 1000	25 Nm	–	–	–	–	35 Nm <sup>3)</sup>
TRAF0-C/S 630	20 Nm	–	–	–	–	–
KSSM-S 630/1200	20 Nm	–	–	–	–	–
KLKB-S 630/1200	20 Nm	–	–	–	–	–

1) The torque refers to the connection between the SLDL and the cable (cable lug or cable connector).

2) The torque refers to the connection between the ADB 3M contact and the AD 300 connector.

3) The torque refers to the connection to the switch connection lug.

4) The torque refers to the connection between the adapter plate and the plug-in socket.

Designation	Cable connection						Screw	
	6 mm <sup>2</sup>	50 mm <sup>2</sup>	95 mm <sup>2</sup>	120 mm <sup>2</sup>	150 mm <sup>2</sup>	185 mm <sup>2</sup>	300 mm <sup>2</sup>	M10
TC 50-12	12 Nm							
TC 70-15		20 Nm		25 Nm		45 Nm		
TC 120-20								
TC 300-25								
TCD 185-25			20 Nm					35 Nm
TC 300-40			35 Nm		45 Nm			35 Nm
TCD 300-40								



# Table of Contents

## Alphabetical order

---

### Table of Contents

Alphabetical order	6/3
--------------------	-----

# Designations in alphabetical order

Designation	Page No.
<b>A</b>	
AB 1200-53/ 1200-70/ 800-53	2/19, 2/26
AB 2500 CSS	2/24, 2/25
AD 2150	2/18, 2/32, 5/4, 5/6
AD 300	2/18, 2/32, 6/3, 5/4, 5/6
AD 350	2/18, 2/32, 4/3, 5/4, 5/6
AD 400	2/18, 2/32, 4/3, 5/4, 5/6
AD 70	2/18, 2/32, 4/4, 4/5, 4/6, 5/4, 5/6
AD 95	2/18, 2/32, 4/4, 5/4, 5/6
ADB 3M	2/18, 2/32, 5/4, 5/6
ADC 25	2/18, 2/32, 3/28, 4/3, 5/4
ADN	2/18
ADO 240	2/18, 2/32, 4/5, 4/6, 5/4, 5/6
ADP 300	2/10, 2/11, 2/17, 2/18, 2/32, 5/4
ADR H12/ ADR M10/ ADR M8	2/26, 5/4
AK-ADAS	2/28
APXT 1-4	2/17, 5/5
A-S/ T6 630	2/17, 5/5, 5/6
A-S/ T6 800	2/17, 5/5, 5/6
A-T7 1000	2/17, 5/5, 5/6
<b>B</b>	
BERG 250	3/8, 3/14, 3/24, 3/25
BK-E/ BK-N/ BK-T	3/24
BPF-S 48/73/98	3/10, 3/16, 3/26, 3/33, 4/8
<b>C</b>	
C20-BP/C40-BP/ C60-BP	3/8, 3/14, 3/25
C20-DB/C40-DB/ C60-DB	3/8, 3/24, 3/25
C20-TNS, C40-TNS, C60-TNS	2/21
C 60-XA	3/25
CC 20/CC 30	3/24
CDC 020/040/060	3/7, 3/13, 3/23
CDC 420/440/460/640/660	3/7, 3/13, 3/19
CDC-CLA	3/8, 3/14, 3/31
CDC-LA	3/31
CDC-LD	3/31
CDC-LSE	3/31
CDC-LT	3/21, 3/19, 3/31
CDC-LTC	3/24, 3/31
CDCA	3/19, 3/30, 3/36
CDCA-BV	3/21
CDCA-CD	3/20
CDCM 020/040/420/440/640	3/13
CDCP 020/040/420/440	3/17
CDCP-TP	3/18
CDCR 63	4/6, 4/8
CDCS 16015	4/5, 4/8
CDCS 2520/CDCS 6320	4/4, 4/8
CDCS 25 L	4/7, 4/8
CDCS 63 L	4/7, 4/8
CDCS 25 LP	4/7, 4/8
CDCS 63 LP	4/7, 4/8

Designation	Page No.
<b>C</b>	
CKM	3/20, 3/21, 3/22, 3/27
CKXT 1-4	2/17, 5/5
Connect IT	1/8
CS SLDL	2/14
<b>E</b>	
EB 435	3/24
<b>F</b>	
FD 3300	2/12, 2/30, 5/3, 5/6
FDM	3/24, 3/25
FDM-K	3/24, 3/25
FHD 00/FHD 000	2/9
FHH	2/7, 2/8
FHHD-A 000	2/7
FHHD-A 00	2/8
FV	3/8, 3/14, 3/25, 4/8
<b>G</b>	
GBC 6338	4/3, 4/8
GBC 6338 UR	4/3
GBL 63	2/29
GOLV-S 48/73/98	3/10, 3/16, 3/26, 4/8
<b>I</b>	
ILM 125	2/15
ILM 224	2/15
ILM 355	2/15
<b>J</b>	
JDDA 000	2/7, 5/5
JDDA 00	2/8, 5/5
JDDA 1	2/10, 5/5
JDDA 2	2/11, 5/5
<b>K</b>	
KD 43-TNS, KD 63-TNS, KD 98-TNS	2/21, 3/12
KFBD	2/12
KHB 3/KHB 5/ KHB 7	3/18
KKC 5	3/18
KKCS	3/18
KKS	3/18
KLAP T5 630	2/17
KLKB-S 1200/ KLKB-S 630	2/22
KN 00	2/7, 2/8, 2/9, 2/15
KN 1	2/10, 2/15
KNB 2	2/11, 2/14
KSBD 00	2/7, 2/8
KSBD 2	2/10, 2/11, 2/14
KSBD 300	2/18
KSCA	3/31
KSFL 17	3/20, 3/22



# Designations in alphabetical order

Designation	Page No.
<b>K</b>	
KSFS	2/19
KSFS 16151 CSS, KSFS 16183 CSS	2/24
KSFS 25150 CSS, KSFS 25182 CSS	2/25
KSIK 043/063/098	2/21, 3/11
KSKP 25/ KSKP 50	2/28, 3/27
KSM 017	3/20, 3/22
KSM 417	3/20, 3/22
KSMP-S 48/73/98	3/10, 3/16, 3/24, 3/29
KSMUB 16/32	3/20, 3/22
KSNR 4	3/31, 3/32
KSNS	2/20, 2/25
KSPS 7	3/8, 3/10, 3/14, 3/25
KSNSV 410	2/20
KSPS 8	3/8, 3/10, 3/14, 2/16, 3/25
KSSM-S 630/1200	3/28, 5/4, 5/6
KSST 36	2/22, 2/33, 3/12, 3/19
KSST 36 - CDC	2/22, 3/22
KSST 316	2/19, 2/22, 2/33, 3/12
KSST 316/100	2/19, 2/22, 2/33, 3/12
KSST 316/23	2/19, 2/22, 2/33, 3/12
KSST 325 CSS	2/25, 2/34
KSST 325 CSS F	2/25, 2/34
KSST 25182 CSS	2/25
KSST-CDC	2/22, 2/33
KSSTD 312/16	2/24, 2/34
<b>L</b>	
LBOD 800,1000,1600	2/16, 2/31, 5/6
<b>M</b>	
MARK-S 48/73/98	3/10, 3/16, 3/26, 4/8
MARK-S 73/98 LD	3/10, 3/26
MPF 25/63 B	3/6, 3/13, 3/14, 3/15, 3/16, 3/20, 3/22, 3/27
MPP 20	3/14, 3/29
MPP-S 48/73	3/16, 3/29
MPT 40	3/14, 3/29
MPT-S 48/73	3/16, 3/29
MSB 316	2/23, 2/33
MSB 316/100	2/23, 2/33
MSB 316/23	2/23, 2/33
MSB 325 CSS	2/25, 2/34
MSBD 312/16	2/24, 2/34
<b>N</b>	
NK 3	3/31, 3/32
NK 30	3/31, 3/32
NKD 3	3/31, 3/32
NK-TC	3/24, 3/31, 3/32
<b>P</b>	
PBA 63	2/6
PBKP 25/50	2/27, 3/28

Designation	Page No.
<b>P</b>	
PDA 10–50	2/6
PHD 2	2/11, 5/5
PHD 2 SDC	2/11, 5/5
PHDL	2/14
PSFS 5/17	2/28
PSM 224	2/15
<b>S</b>	
SD 48-TNS, SD 73-TNS, SD 98-TNS	2/21, 3/10, 3/16
SDC 048/073/098	3/9, 3/23
SDC 448/473/648/673/698	3/9
SDC 673 LD/SDC 698 LD	3/9
SDC-LA	3/31
SDC-LD	3/31
SDC-LSE	3/31
SDC-LT	3/31
SDC-LTC	3/24, 3/31
SDCM 048/073/098	3/15
SDCR 125	4/6, 4/8
SDCS 16023/25018/25043	4/5, 4/8
SEKOD 125/ 224/355	2/15, 2/31, 5/6
SLD 00	2/8, 2/30, 4/5, 4/6, 5/3, 5/6
SLD 000	2/7, 2/30, 4/3, 4/4, 4/5, 4/6, 5/3, 5/6
SLD 1	2/10, 4/5, 5/3, 5/6
SLD 2	2/11, 2/30, 5/3, 5/6
SLDL 2	2/13, 2/14, 2/30, 5/3, 5/6
SLDL 2-1P	2/13, 2/14, 2/30, 5/3, 5/6
SLDL 3	2/13, 2/14, 2/30, 5/3, 5/6
SLDL 3-1P	2/13, 2/14, 2/30, 5/3, 5/6
SLD 63	2/6, 2/30, 5/3, 5/6
SLD-FHD 00/000	2/9, 5/3, 5/6
SLOC 630	2/16, 2/31, 5/6
SLUS 48/73/98	3/10, 3/16, 3/26
STM 400	2/10, 2/11, 2/18, 2/32, 5/4
<b>T</b>	
TC	2/27
TCD	2/27
TCD 50-240	2/14
TCS 35-240	2/14
TFU 25	2/28
TRAFO-CD 630	3/28, 5/6
TRAFO-SD 630/1200	3/28, 5/6
<b>U</b>	
UKRA 90	2/28
<b>V</b>	
VF-S 30	3/10/, 3/16, 3/20, 4/8
VF 100	3/10, 3/16, 3/25
VHB 68	3/32, 4/8









# Contact us

## ABB AB

Kabeldon

BOX 531

SE-441 15 Alingsås, Sweden

Tel: + 46 21 32 50 00

e-mail: [info.sedon@se.abb.com](mailto:info.sedon@se.abb.com)

<http://new.abb.com/low-voltage/>

You can find the address of your local sales organization on the ABB homepage:

[www.abb.com/contacts](http://www.abb.com/contacts)

> **Low Voltage Products and Systems**

**Note:** We reserve the right to make technical changes or modify the contents of this document without prior notice. With regard to purchase orders, the agreed particulars shall prevail. ABB AG does not accept any responsibility whatsoever for potential errors or possible lack of information in this document. We reserve all rights in this document and in the subject matter and illustrations contained therein. Any reproduction, disclosure to third parties or utilization of its contents – in whole or in parts – is forbidden without prior written consent of ABB AG.

Copyright © 2016 ABB  
All rights reserved

